

**Refrigeration Equipment  
Sandwich/Salad Preparation  
Table, 6cu.ft - Stainless Steel**

ITEM # \_\_\_\_\_

MODEL # \_\_\_\_\_

NAME # \_\_\_\_\_

SIS # \_\_\_\_\_

AIA # \_\_\_\_\_



738066 (KCST278-HC)

Sandwich/salad preparation table, 6 cu.ft, +33/+41°F, stainless steel

**Short Form Specification**

Item No. \_\_\_\_\_

Constructed entirely in stainless steel. Built-in refrigeration unit and an insulated lid to maintain food freshness. Fin & Tube Condenser improves performance in high-temperature environments. Automatic Defrost Cooling System to provide worry-free performances. Full-depth cutting board of 79x27.40x10.50 in. Digital control panel, Vinyl-Coated Steel adjustable shelves, removable door gaskets and self-closing doors with 90-degree stay-open feature. Temperature range: +33/+41°F.

R290 gas in the refrigeration circuit.  
ETL Safety and Sanitation certifications.  
3/5 Years warranty.

**Main Features**

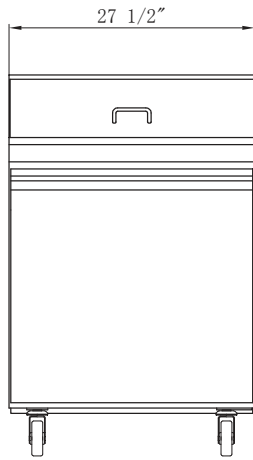
- Fin & Tube Condenser improves performance in high-temperature environments.
- Automatic Defrost Cooling System provides worry-free performance.
- 1/3 HP Compressor.
- Vinyl-Coated Steel adjustable dividers to customize bottle storage effortlessly.
- Hydrocarbon refrigerant gas R290 for the lowest environmental impact (GWP=3) - CFC and HCFC free.

**Construction**

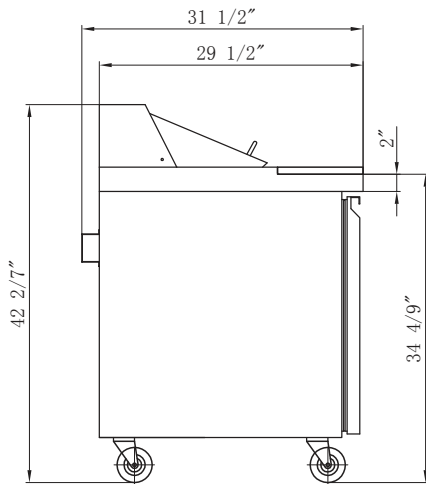
- Stainless steel exterior and interior, durable and easy to clean for daily commercial use.
- External Electronic Digital Temperature Control for easy setting and monitoring.
- Removable door gaskets.
- Holds (6) 1/6 & (2) 1/9 pans.
- Self-closing door with 90-degree stay-open feature.
- Heavy duty casters.
- Insulated lid maintains food freshness.
- Preparation area designed for workstation convenience and self-food handling, also thanks to the full-depth cutting board.

APPROVAL: \_\_\_\_\_

**Front**

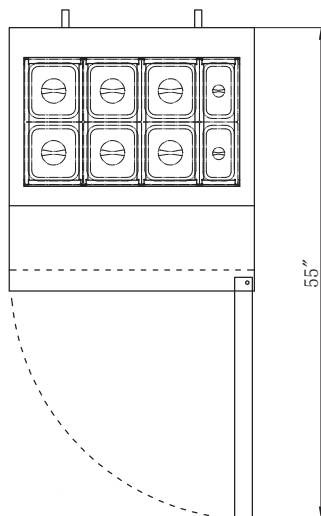


**Side**



EI = Electrical connection

**Top**



## Electric

**Supply voltage:**

738066 (KCST27.8-HC) 115 V/1 ph/60 Hz

**Electrical power, max:**

0.6 kW

**Plug type:**

USA NEMA 1-15P

## Capacity:

**Gross capacity:** 7.9 cu.feet

## Key Information:

**External dimensions, Width:** 27 1/2" (698.5 mm)  
**External dimensions, Depth:** 29 1/2" (749.3 mm)  
**External dimensions, Height:** 42 5/16" (1074.06 mm)  
**Number and type of doors:** 1 Full  
**Number and type of grids (included):** -1  
**Type of external material:** Stainless Steel  
**Type of internal material:** 304 AISI  
**Warranty:** 3 / 5 years

## Refrigeration Data

**Compressor power:** 1/5 hp  
**Refrigerant type:** R290  
**Operating temperature min.:** 33 °F  
**Operating temperature max.:** 41 °F  
**Condenser type:** Fin & tube  
**Defrost type:** Auto Defrost