

**Chest Freezer
Sliding Glass Lid Novelty
Freezer 59.5" Long**

ITEM # _____

MODEL # _____

NAME # _____

SIS # _____

AIA # _____



738233 (KCNF140WH)

Sliding Glass Lid Novelty
Freezer 59.5" Long

Short Form Specification

Item No. _____

Flat lid novelty freezer with tempered glass sliding lids and unobtrusive frame around the glass lids to ensure maximum visibility. Internal and external structure in white painted steel. Fan cooled condenser for best preservation performance even in heavy-duty conditions. Basket, vertical basket divider, NSF thermometer and lock included as standard. Defrost water drain with plug for easy cleaning. R290 refrigerant gas for the lowest environmental impact (GWP=3). The temperature range is -10° to 10°F. ETL safety and sanitation listed for US and Canada. Equipped with NEMA 5-15P plug.

Main Features

- Temperature range of -10 to +10 F°
- Fan cooled condenser to cope with heavy duty conditions
- Hydrocarbon refrigerant gas R290 for the lowest environmental impact (GWP=3) - CFC and HCFC free.
- Included as standard 1 NSF® certified temperature gauge and 1 basket (including one vertical divider) durable and reliable for safety in food storage
- Removable rubber bumper guards
- Bottom drain with plug for easy interior cleaning and defrost water discharge
- Mechanical control panel with adjustable temperature
- Low energy consumption

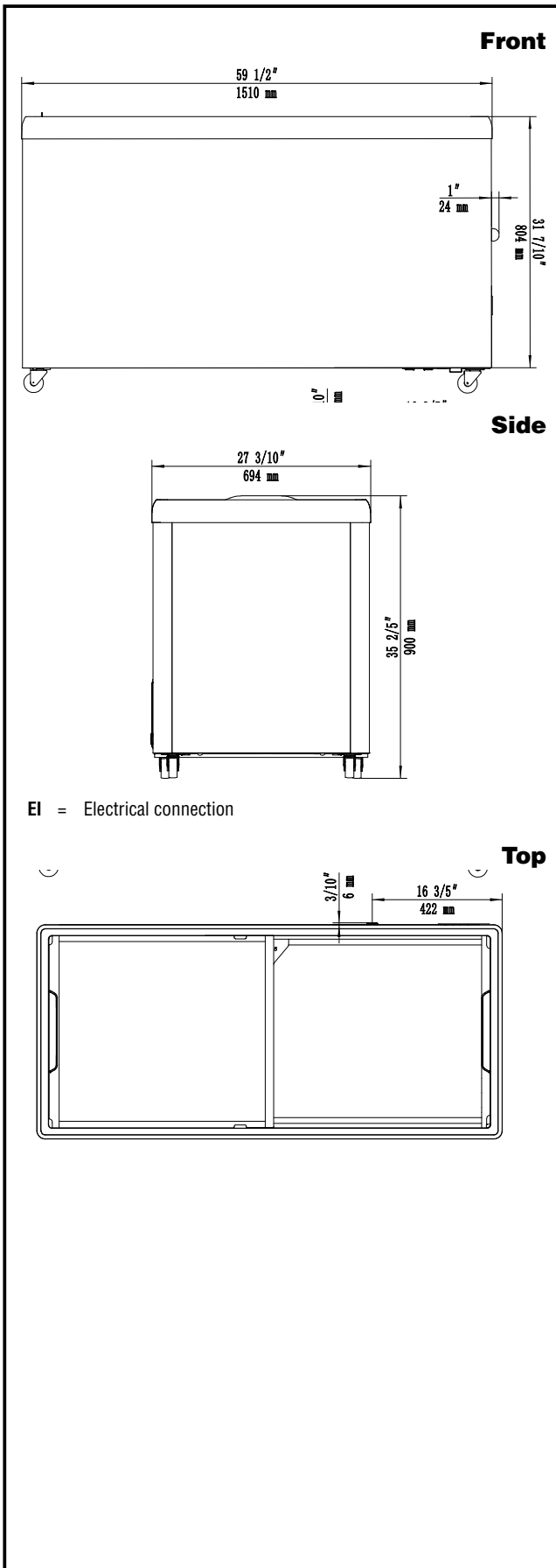
Construction

- Tempered glass sliding lids
- Exterior and Interior finish in white painted Steel
- Locking lids and key protect the contents of the unit
- Mounted on heavy-duty casters, two locking to keep unit in place but allows position adjusting.

Optional Accessories

- Basket for Glass Lid Chest Freezer PNC 882001
22.52x10.51x12.52 in
(572x267x318 mm)

APPROVAL: _____



Electric

Supply voltage:	738233 (KCNF140WH)	115 V/1 ph/60 Hz
Electrical power, max:		0.2 kW
Plug type:		USA NEMA 5-15P

Capacity:

Capacity:	14.6 ft. ³
-----------	-----------------------

Key Information:

External dimensions, Width:	59 7/16" (1510 mm)
External dimensions, Depth:	27 5/16" (694 mm)
External dimensions, Height:	34 5/8" (880 mm)
Condenser type:	Static
Automatic Defrost Cooling System:	No
Compressor Horsepower:	1/5
Freezer baskets (Number/Type):	1 / Wire
Control	Mechanical
Warranty	1/5 Years
Net weight:	176 lbs (80 kg)
Shipping width:	30 1/2" (775 mm)
Shipping height:	40 3/4" (1035 mm)
Shipping weight:	194 lbs (88 kg)
Shipping volume:	44.84 ft ³ (1.27 m ³)

Refrigeration Data

Temperature display location:	Internal
Temperature range:	-15 to 10 °F
Refrigerant type:	R290