



COMMERCIAL

Refrigeration Equipment Reach-In Freezer, 2 Half Door, 23 cu.ft - Stainless Steel (R290)

ITEM # _____

MODEL # _____

NAME # _____

SIS # _____

AIA # _____



738285 (KCHRI27R2HDF)

2-Half Door Full Height
Freezer 27" Long

Short Form Specification

Item No. _____

2 half doors freezer with exterior back and bottom panels in galvanized steel, exterior side and top panels in 430 stainless steel; interior back, side, top and bottom panels in 304 stainless steel.

Control with cabinet temperature display. Self-closing and on-site reversible door feature lock and key.

R290 gas in the refrigeration circuit.

ETL Safety and Sanitation certifications.

3/5 Years warranty.

Main Features

- External temperature display.
- Removable gasket for easy cleaning operations.
- Fin & Tube Condenser improves performance in high temperature environments.
- Automatic Defrost Cooling System provides worry-free performance.
- Electronic Temperature Control, quick and simple to set, with control display for easy monitoring.
- Heavy duty Vinyl coated steel shelves.
- Cabinet completely insulated with high density polyurethane for low environmental impact.
- Bottom mounted cooling unit slides out for easy access and cleaning.
- Interior LED light to save energy and for best internal visibility.

Construction

- Self-closing door with 90-degree stay-open feature.
- Heavy duty casters.
- Lockable door.
- Pre-wired heavy duty power cord.
- Heavy duty door hinges.
- Magnetic gasket removable without tools for easy cleaning.

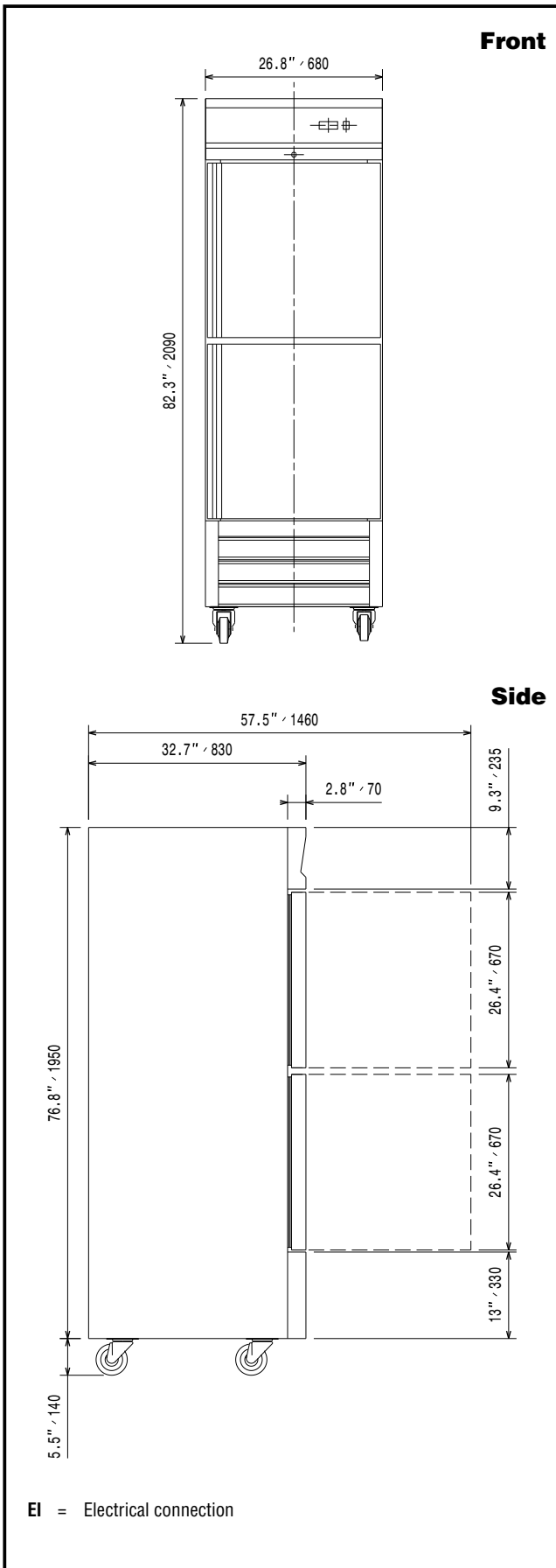
Sustainability

- CFC and HCFC free, highly ecological refrigerant type: R290 (ecological gas in foam: cyclopentane). Hydrocarbon refrigerant gas R290 for the lowest environmental impact (GWP=3), to reduce green house and ozone depletion effects.
- Hydrocarbon refrigerant gas R290 for the lowest environmental impact (GWP=3) - CFC and HCFC free.
- High efficiency components to minimize the energy consumption still guaranteeing the highest performances.

Optional Accessories

- shelf for 27" reach-in PNC 880590
- shelf clips PNC 880611

APPROVAL: _____



Electric

Supply voltage:	738285 (KCHRI27R2HDF)	115 V/1 ph/60 Hz
Electrical power, max:		0.8 kW
Plug type:		USA NEMA 5-15P

Key Information:

Capacity (Cu.Ft.)	23
Door hinges:	Right Side
External dimensions, Width:	26 3/4" (680 mm)
External dimensions, Depth:	32 11/16" (830 mm)
External dimensions, Height:	82 1/4" (2090 mm)
Number and type of doors:	2 Full
Internal Dimensions (depth):	27 1/16"
Internal Dimensions (height):	60 1/4"
Internal Dimensions (width):	24 7/16"
Shipping height:	84 5/8" (2150 mm)
Shipping weight:	337 lbs (153 kg)
Shipping volume:	49.91 ft ³ (1.41 m ³)
Number and type of grids (included):	3 - Vinyl-Coated Steel
Type of external material:	430 AISI
Type of internal material:	304 AISI
Warranty:	3 / 5 years

Refrigeration Data

Compressor Horsepower:	1/4
Operating temperature min.:	-7.6 °F
Operating temperature max.:	-4 °F
Condenser type:	Fin & tube
Defrost type:	Auto Defrost

Sustainability

Current consumption:	8 Amps
Refrigerant type:	R290
Refrigerant weight:	110 g