

Refrigeration Equipment 2-Drawer Mega Top Prep Table 29" Long 9-1/6 3-1/9 Pan

ITEM # _____

MODEL # _____

NAME # _____

SIS # _____

AIA # _____



738286 (KCHMT29.12.2D)

2-Drawer Mega Top Prep
Table 29" Long 9-1/6 3-1/9
Pan

Short Form Specification

Item No. _____

2-drawer mega top refrigerated preparation table. Exterior back panel and exterior bottom panel in galvanized steel, exterior side and top panel in 430 stainless steel; interior back, top and interior bottom panels in 304 stainless steel, worktop in 304 stainless steel. Built-in refrigeration unit and an insulated lid to maintain food freshness. Fin & Tube Condenser improves performance in high-temperature environments. Automatic Defrost Cooling System to provide worry-free performances. Full-depth cutting board of 29x9x0,5 in. Control panel and removable drawer gaskets. Temperature range: +33/+41°F. R290 gas in the refrigeration circuit.

ETL Safety and Sanitation certifications.

3/5 Years warranty.

Main Features

- Removable gasket for easy cleaning operations.
- Fin & Tube Condenser improves performance in high temperature environments.
- Automatic Defrost Cooling System provides worry-free performance.
- Electronic Temperature Control, quick and simple to set, with control display for easy monitoring.
- Full Depth cutting board.
- External temperature display.
- Cabinet completely insulated with high density polyurethane for low environmental impact.

Construction

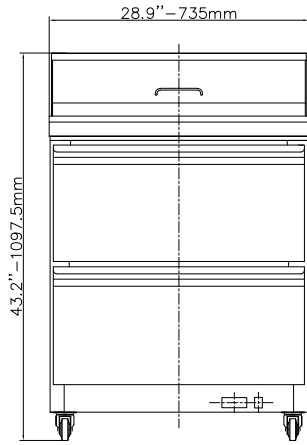
- Heavy duty casters.
- Insulated lid maintains food freshness.
- Pre-wired heavy duty power cord.
- Magnetic gasket removable without tools for easy cleaning.

Sustainability

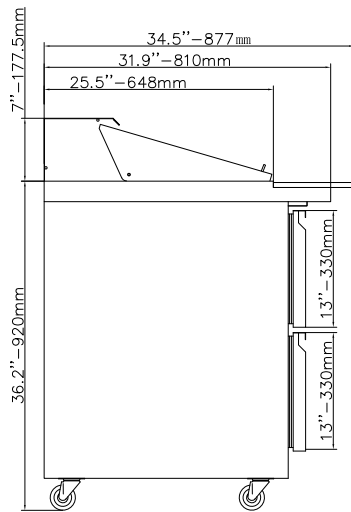
- CFC and HCFC free, highly ecological refrigerant type: R290 (ecological gas in foam: cyclopentane). Hydrocarbon refrigerant gas R290 for the lowest environmental impact (GWP=3), to reduce green house and ozone depletion effects.
- Hydrocarbon refrigerant gas R290 for the lowest environmental impact (GWP=3) - CFC and HCFC free.
- High efficiency components to minimize the energy consumption still guaranteeing the highest performances.

APPROVAL: _____

Front

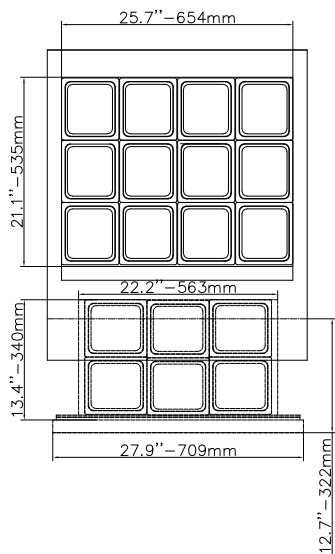


Side



EI = Electrical connection

Top



Electric

Supply voltage:	738286 (KCHMT29.12.2D)	115 V/1 ph/60 Hz
Electrical power, max:		0.52 kW
Plug type:		USA NEMA 5-15P

Capacity:

Gross capacity:	7 cu.feet
-----------------	-----------

Key Information:

External dimensions, Width:	28 15/16" (735 mm)
External dimensions, Depth:	35 7/16" (900 mm)
External dimensions, Height:	43 5/16" (1100 mm)
Internal Dimensions (depth):	23 13/16" / (605 mm)
Internal Dimensions (height):	23 1/2" / (597 mm)
Internal Dimensions (width):	24 1/16" / (611 mm)
Shipping height:	47 1/4" (1200 mm)
Shipping weight:	273 lbs (124 kg)
Shipping volume:	29.88 ft ³ (0.85 m ³)
Type of external material:	Stainless Steel
Type of internal material:	Polystyrene
Warranty:	3 / 5 years
Approvals	ETL C&US;ETL SANITATION
N° of drawers:	2

Refrigeration Data

Compressor power:	1/5 hp
Operating temperature min.:	32 °F
Operating temperature max.:	41 °F
Condenser type:	Fin & tube
Defrost type:	Auto Defrost

Sustainability

Current consumption:	3 Amps
Refrigerant type:	R290
GWP Index:	3
Refrigerant weight:	85 g



Refrigeration Equipment
2-Drawer Mega Top Prep Table 29" Long 9-1/6 3-1/9 Pan

The company reserves the right to make modifications to the products without prior notice. All information correct at time of printing.