

**Refrigeration Equipment
Bottle Cooler with Slide Top,
10 cu.ft, 36" (R600a)**

ITEM # _____

MODEL # _____

NAME # _____

SIS # _____

AIA # _____



738294 (KCHBC36)

1-door bottle cooler with slide top, 36", R600a refrigerant gas, +33/+41 °C, black

Short Form Specification

Item No. _____

Bottle cooler with slide top. Exterior back and side panels in painted steel, exterior bottom panel in galvanized steel, top panel in 304 stainless steel; interior back and side panels in 430 stainless steel, interior bottom panel and worktop in 304 stainless steel. Fin & tube condenser to improve the performances in high temperature environments. Automatic Defrost Cooling System and electronic temperature control.

Vinyl-coated steel adjustable dividers and locking lids.

R600a gas in refrigeration circuit.
ETL Safety and Sanitation certified.
3/5 Years warranty.

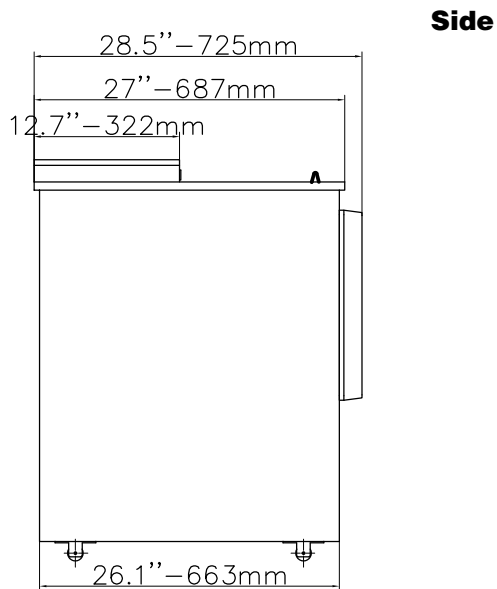
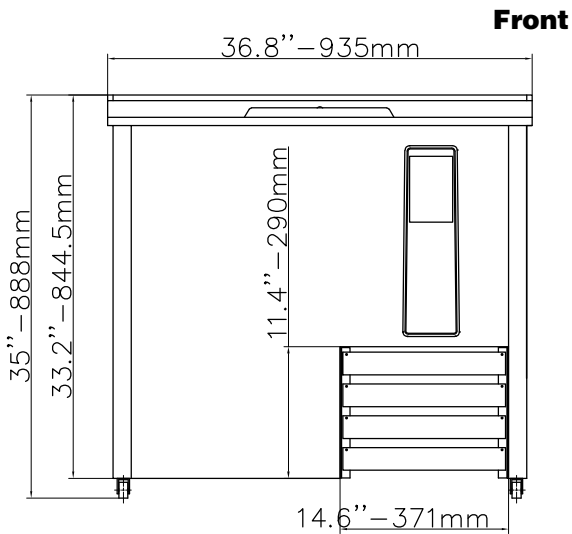
Main Features

- Fin & Tube Condenser improves performance in high temperature environments.
- Automatic Defrost Cooling System provides worry-free performance.
- Vinyl-Coated Steel adjustable dividers to customize bottle storage effortlessly.
- Locking doors.
- External temperature display.
- High efficiency components to minimize the energy consumption still guaranteeing the highest performances.
- Cabinet and door insulated with high density polyurethane for low environmental impact.
- Locking lids.

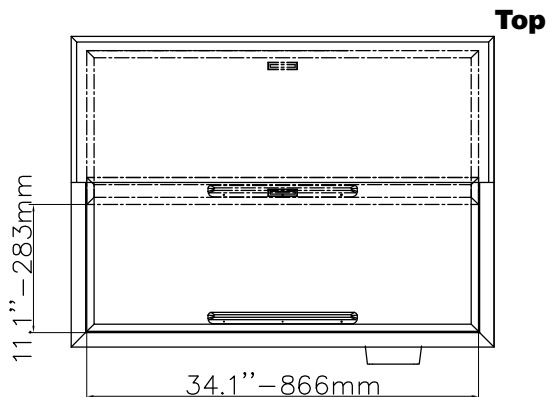
Construction

- CFC and HCFC free (ecological refrigerant type: R600a).
- Pre-wired heavy duty power cord.
- Electronic control to select temperatures.

APPROVAL: _____



EI = Electrical connection



Electric

Supply voltage:	115 V/1 ph/60 Hz
738294 (KCHBC36)	
Electrical power, max:	0.2 kW
Current consumption:	1.5 Amps
Plug type:	USA NEMA 5-15P

Capacity:

Gross capacity:	10 cu.feet
------------------------	------------

Key Information:

External dimensions, Width:	36 13/16" (935 mm)
External dimensions, Depth:	28 9/16" (725 mm)
External dimensions, Height:	34 15/16" (888 mm)
Internal Dimensions (depth):	26 1/16"
Internal Dimensions (height):	22 15/16"
Internal Dimensions (width):	60 3/8"
Shipping height:	39 3/4" (1010 mm)
Shipping weight:	212 lbs (96 kg)
Shipping volume:	25.6 ft ³ (0.72 m ³)
Type of external material:	Black Prepainted Steel
Type of internal material:	Stainless Steel
Warranty:	3 / 5 years

Refrigeration Data

Compressor Horsepower:	1/6
Refrigerant type:	R600a
Refrigerant weight:	100 g
Operating temperature min.:	32 °F
Operating temperature max.:	41 °F
Condenser type:	Fin & tube



Refrigeration Equipment
Bottle Cooler with Slide Top, 10 cu.ft, 36" (R600a)

The company reserves the right to make modifications to the products without prior notice. All information correct at time of printing.