

## Refrigeration Equipment 1-Door 1-Tower Draft Box 24 " Long

ITEM # \_\_\_\_\_

MODEL # \_\_\_\_\_

NAME # \_\_\_\_\_

SIS # \_\_\_\_\_

AIA # \_\_\_\_\_



738295 (KCHBBD1D1T)

1-Door 1-Tower Draft Box 24  
" Long

### Short Form Specification

Item No. \_\_\_\_\_

1-door Beer dispenser with 1 column. Exterior back and bottom panels in galvanized steel, top panel in 304 stainless steel and exterior side panels in painted steel; interior back, side, and top panels in 430 stainless steel, interior bottom panel and worktop in 304 stainless steel. Fin & tube condenser to improve the performances in high temperature environments.

Automatic Defrost Cooling System and temperature control.

R600a gas in refrigeration circuit.

ETL Safety and Sanitation certified.

3/5 Years warranty.

### Main Features

- External digital temperature display.
- Fin & Tube Condenser improves performance in high temperature environments.
- Automatic Defrost Cooling System provides worry-free performance.
- Locking doors.
- External temperature display.
- Cabinet completely insulated with high density polyurethane for low environmental impact.

### Construction

- Self-closing door with 90-degree stay-open feature.
- Lockable door.
- Pre-wired heavy duty power cord.
- Heavy duty door hinges.
- Magnetic gasket removable without tools for easy cleaning.
- Heavy duty casters.

### Sustainability

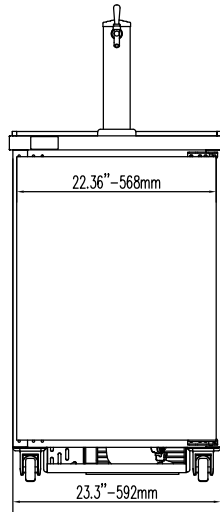
- High efficiency components to minimize the energy consumption still guaranteeing the highest performances.
- CFC and HCFC free (ecological refrigerant type: R600a).

### Optional Accessories

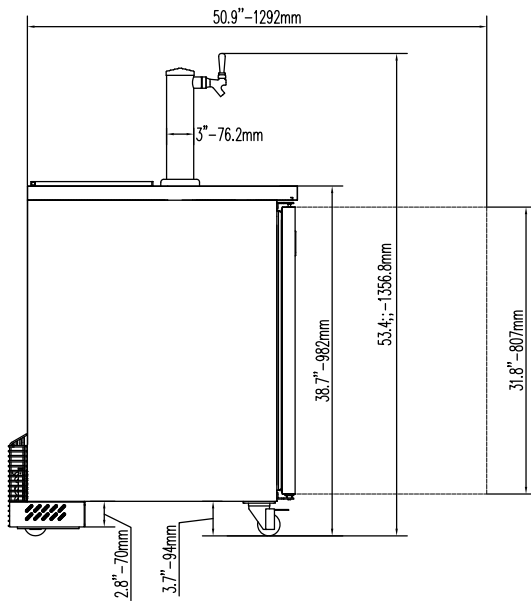
- Draft Tower; Double Faucet PNC 880677

APPROVAL: \_\_\_\_\_

**Front**

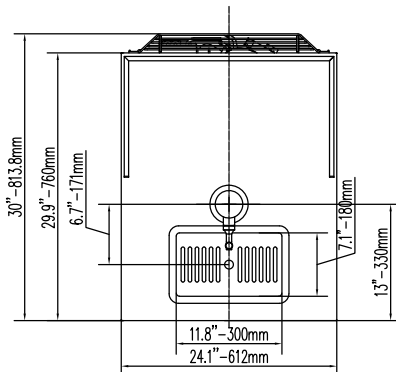


**Side**



EI = Electrical connection

**Top**



## Electric

**Supply voltage:**

738295 (KCHBBD1D1T) 115 V/1 ph/60 Hz

**Electrical power, max:**

0.31 kW

**Plug type:**

USA NEMA 5-15P

## Capacity:

**Gross capacity:** 9 cu.feet

**Number and type of grids (included):**

## Key Information:

<b>Door hinges:</b>	Right Side
<b>External dimensions, Width:</b>	24 1/16" (612 mm)
<b>External dimensions, Depth:</b>	32 1/16" (813.8 mm)
<b>External dimensions, Height:</b>	53 7/16" (1356.8 mm)
<b>Number and type of doors:</b>	1 Full
<b>Internal Dimensions (depth):</b>	19 1/2" / (495.3 mm)
<b>Internal Dimensions (height):</b>	25 " / (635 mm)
<b>Internal Dimensions (width):</b>	19 1/2" / (495.3 mm)
<b>Shipping height:</b>	55 1/8" (1400 mm)
<b>Shipping weight:</b>	198 lbs (90 kg)
<b>Shipping volume:</b>	28.28 ft <sup>3</sup> (0.8 m <sup>3</sup> )
<b>Type of external material:</b>	Black Prepainted Steel
<b>Type of internal material:</b>	Stainless Steel
<b>Warranty:</b>	3 / 5 years
<b>Approvals</b>	ETL C&US;ETL SANITATION

## Refrigeration Data

<b>Current absorbed:</b>	2.2 Amps
<b>Compressor power:</b>	1/8 hp
<b>Operating temperature min.:</b>	32 °F
<b>Operating temperature max.:</b>	41 °F
<b>Condenser type:</b>	Fin & tube
<b>Defrost type:</b>	Auto Defrost

## Sustainability

<b>Refrigerant type:</b>	R600a
<b>GWP Index:</b>	3
<b>Refrigerant weight:</b>	90 g



Refrigeration Equipment  
1-Door 1-Tower Draft Box 24" Long

The company reserves the right to make modifications to the products without prior notice. All information correct at time of printing.