

4JUICES



560253 - 562720 - 562743

General Features

4JUICES is a professional equipment ideal to dispense chilled beverages prepared starting from concentrated juice.

4JUICES dispenses up to 4 different drinks and it is equipped with 4 containers each with a capacity of 4 litres of concentrated juice. It is possible upon request to have a prearrangement for bag-in-box connection and the auto-supply water kit.

The machine guarantees high performance levels. The cooling system with pressure-sealed insulated tank assures that the juice temperature doesn't change even in case of continuous dispenses. The water level in the tank is automatically restored after every dispense.

The juice/water dilution ratio is adjustable.

4JUICES has 2 dispensing modes: based on pre-set doses (glass-full or jug-full, maximum height 25 cm) or continuous service with push control.

The unit is provided with 3/4 inch connection pipe for water inlet.

4JUICES

Specifications

- Ideal to dispense chilled beverages prepared from concentrated juice. (only for 560253)
- It dispenses up to 4 different drinks. (only for 560253)
- It is possible to use glasses or jugs of 25,5 cm maximum height. (only for 560253)
- The juice/water dilution ratio is adjustable. (only for 560253)
- 2 dispensing modes: based on pre-set doses or continuous service with push control. (only for 560253)

Construction

- It is equipped with 4x4- litres containers of concentrated juice. (only for 560253)
- The unit is provided with 3/4 inch connection pipe for water inlet. (only for 560253)
- The water level in the tank is automatically restored after every dispense. (only for 560253)
- It is possible upon request to have a prearrangement for bag-in-box connection and the auto-supply water kit. (only for 560253)
- The backlit frontal panel is designed for customized graphics. (only for 560253)

4JUICES

Electric

| | |
|------------------------|-----------------------------|
| Supply voltage: | 220-230 V / 1 ph / 50/60 Hz |
| Electrical power max.: | |
| 560253 (4JUICES) | 0.3 kW |
| 562720 (4JUICES) | 0.35 kW |
| 562743 (4JUICES) | 0.35 kW |
| Current consumption: | |
| 560253 (4JUICES) | 1.7 Amps |
| 562720 (4JUICES) | 2.3 Amps |
| 562743 (4JUICES) | 2.3 Amps |
| Plug type: | CE-SCHUKO |

Key Information:

| | |
|--------------------------------|--------|
| Dimensions, Width: | 475 mm |
| Dimensions, Depth: | 600 mm |
| Dimensions, Height: | 825 mm |
| Net weight: | 50 kg |
| Cooling system: | AIR |
| Flavors: | 4 |
| Container capacity per flavor: | 4 lt |

Refrigeration Data

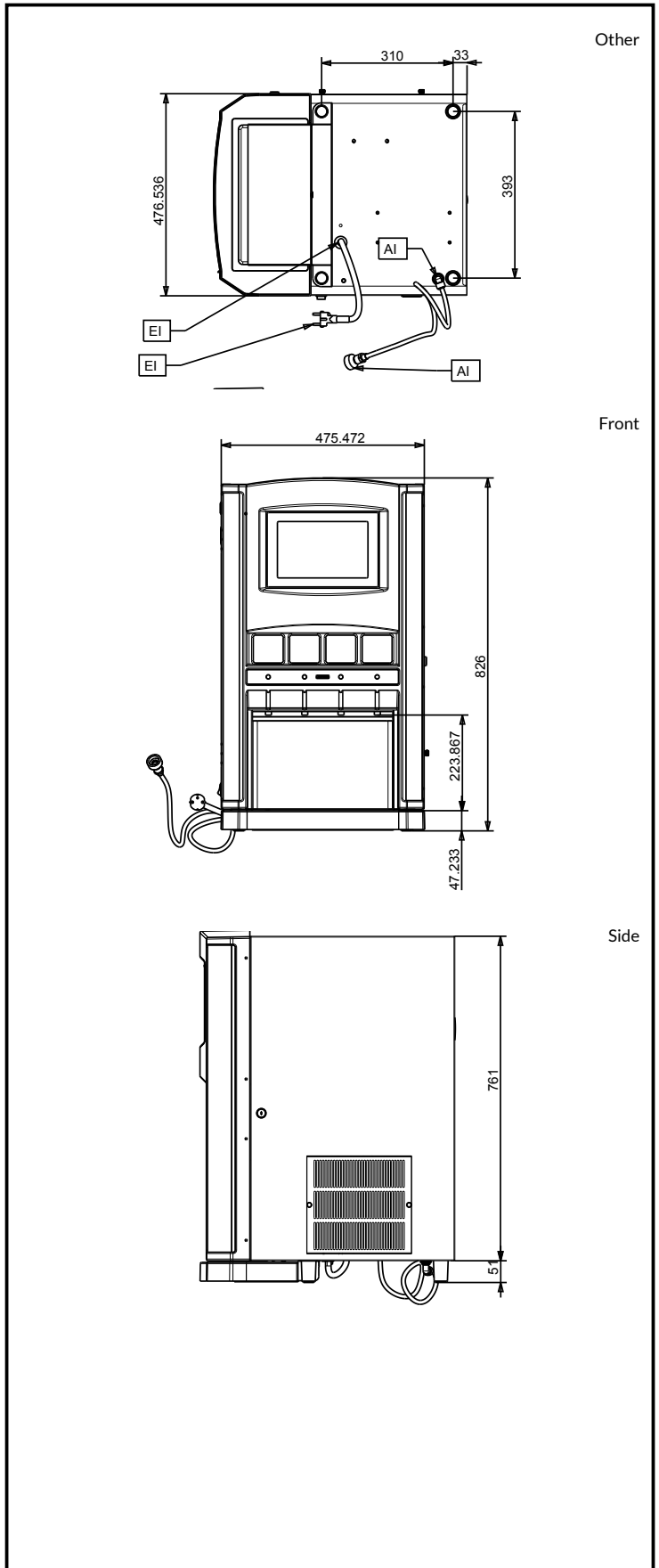
| | |
|------------------|-------|
| Refrigerant gas: | R134a |
|------------------|-------|

Certifications



The company reserves the right to make modifications to the products without prior notice. All information correct at time of printing.

2024.06.09



SPM

www.spm.drink-systems.com
infospm@electroluxprofessional.com