

KARMA WITH GRAVITY FEEDING SYSTEM



Ref: 561419
(KARMAG)

KARMA STD 230/50 - GRAVITY FEEDING SYSTEM - GAS R452A

General Features

KARMA is the small-sized machine for the preparation of soft serve ice cream and frozen yogurt, perfect for those who want to target new market areas without investing in expensive and oversized equipment.

KARMA is designed to be positioned on the counter of a bar: elegant and eye-catching look with a stainless steel structure, glossy finish, LED-lit capacitive keyboard and compact dimensions.

KARMA with gravity feeding system has a cooled upper tank of 6,5 litres capacity and 2,3 litres in the freezing cylinder.

Gravity feeding system and can dispense up to 120 cones/h (75gr.).

The hopper is cooled: the product cools down before reaching the freezing cylinder improving performance as the time to dispense soft serve ice cream and frozen yogurt is quicker.

Numerous technical improvements have been implemented on KARMA which increase the silence and aeration of the machine, and the functionality of the dispensing lever.

KARMA WITH GRAVITY FEEDING SYSTEM

Specifications

- Small-sized countertop soft serve ice cream machine. Perfect to dispense soft serve ice cream and frozen yogurt.
- One of the smallest and most silent soft serve machines.
- 3 different consistency levels.
- It dispenses up to 120 cones/h (75gr cones).

Construction

- Capacity: 6,5 litres of product in the upper tank and 2,3 litres in the freezing cylinder.
- Gravity feeding system.
- The hopper is cooled, so that the time to prepare and dispense soft ice cream and frozen yogurt is quicker.

KARMA WITH GRAVITY FEEDING SYSTEM

Electric

Supply voltage:	220-240 V / 1 ph / 50 Hz
Electrical power max.:	1.15 kW
Current consumption:	5.5 Amps
Plug type:	CE-SCHUKO

Key Information:

Dimensions, Width:	357 mm
Dimensions, Depth:	521 mm
Dimensions, Height:	647 mm
Net weight:	70 kg
Cooling system:	AIR
Flavors:	1
Freezing Cylinder Capacity:	2.3 lt
Hopper Capacity:	6.5 lt
Hourly Production (up to):	120 75gr cones
Feeding System:	gravity

Refrigeration Data

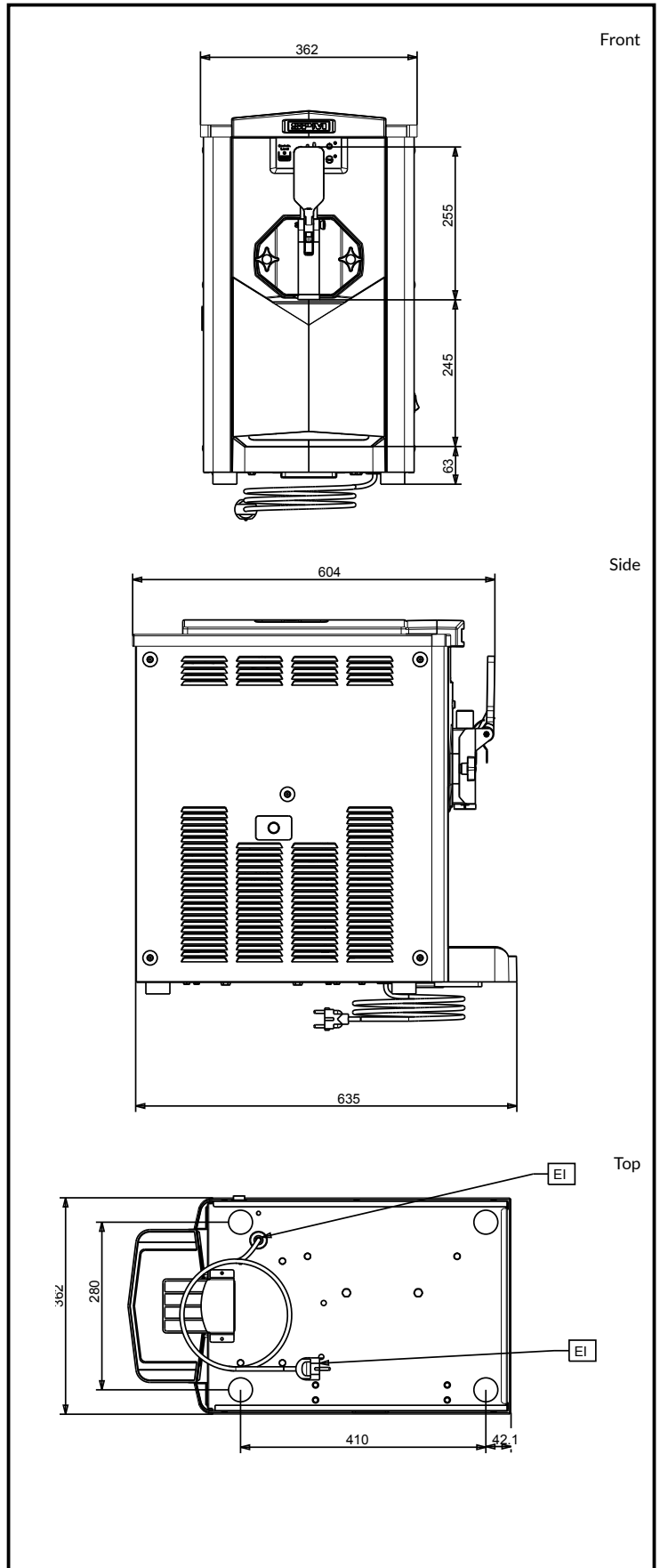
Refrigerant gas:	R452A
------------------	-------

Certifications



The company reserves the right to make modifications to the products without prior notice. All information correct at time of printing.

2024.05.09



SPM

www.spm.drink-systems.com
infospm@electroluxprofessional.com