

KARMA PUMP



Ref: 563211 (KARMAP)

KARMA STD 230/50 2025 - PUMP FEEDING SYSTEM - GAS R290

General Features

KARMA is the small-sized machine for the preparation of soft serve ice cream and frozen yogurt, perfect for those who want to target new market areas without investing in expensive and oversized equipment.

KARMA is designed to be positioned on the counter of a bar: elegant and eye-catching look with a stainless steel structure, glossy finish, LED-lit capacitive keyboard and compact dimensions.

KARMA with PUMP has a cooled upper tank of 4,5 litres capacity and 2,3 litres in the freezing cylinder, and can dispense up to 130 cones/h (75gr.).

Thanks to the PUMP feeding system, the equipment incorporates more air - high overrun - and therefore the dispensed ice cream more light and soft. Higher overrun means higher margins.

The hopper is cooled: the product cools down before reaching the freezing cylinder improving performance as the time to dispense soft serve ice cream and frozen yogurt is quicker.

Numerous technical improvements have been implemented on KARMA which increase the silence and aeration of the machine, and the functionality of the pump and of the dispensing lever.

KARMA PUMP

Specifications

- Small-sized countertop soft serve ice cream machine. Perfect to dispense soft serve ice cream and frozen yogurt.
- One of the smallest and most silent soft serve machines.
- 3 different consistency levels.
- It dispenses up to 130 cones/h (75gr cones).

Construction

- The hopper is cooled, so that the time to prepare and dispense soft ice cream and frozen yogurt is quicker.
- Capacity: 4,5 litres of product in the upper tank and 2,3 litres in the freezing cylinder.
- Pump feeding system for a higher overrun.

KARMA PUMP

Electric

Supply voltage:	220-240 V / 1 ph / 50 Hz
Electrical power max.:	1.15 kW
Current consumption:	5.5 Amps
Plug type:	CE-SCHUKO

Key Information:

Hopper Capacity:	4.5 lt
Dimensions, Width:	357 mm
Feeding System:	Pump
Dimensions, Depth:	521 mm
Dimensions, Height:	647 mm
Net weight:	70 kg
Cooling system:	AIR
Flavors:	1
Freezing Cylinder Capacity:	2.3 lt
Hourly Production (up to):	120 75gr cones

Refrigeration Data

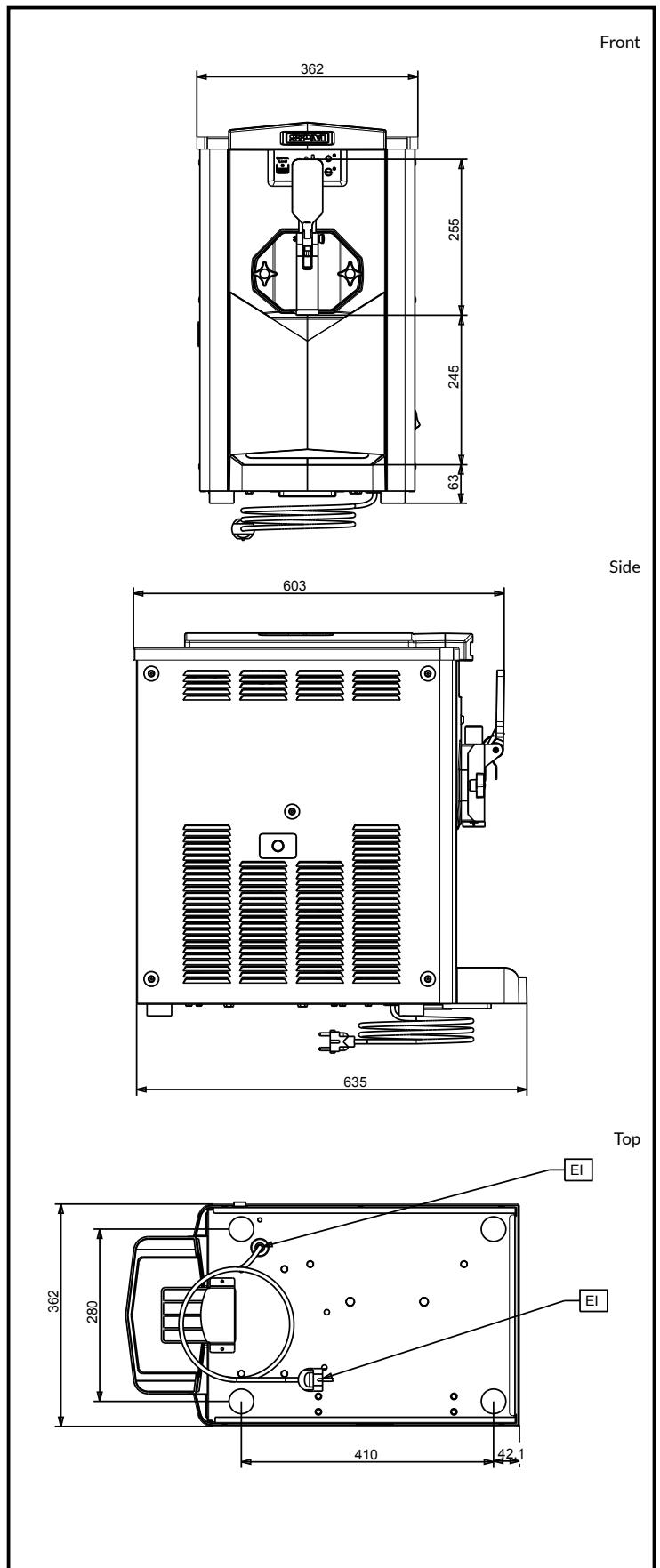
Refrigerant gas:	R290
------------------	------

Certifications



The company reserves the right to make modifications to the products without prior notice. All information correct at time of printing.

2025.09.11



SPM

www.spm.drink-systems.com
infospm@electroluxprofessional.com