

CLASSIC PLUS 1 group, Tall cup, Steamair



Ref602943 (UCLASSIC1HPGUL)

Traditional Espresso Machine

- 1 Group
- No Steam - Long Hot Water - Steamair
- Inox
- 110 V 1N 60~Hz 1,7kW
- UL/NSF Certified

General Features

The Classic is the perfect traditional espresso machine to guarantee top-quality espresso and consistency even in busy periods.

With elegant lines and reliable technologies appreciated by coffee professionals, the Classic is made even more attractive by its quality/price ratio. The Classic is available in 1, 2 or 3 group configurations.

CLASSIC PLUS 1 group, Tall cup, Steamair

Main Features

- Maestro brew group: directly to boiler group heads are mounted for shot temperature stability.
- Large cup warming capacity: integrated cup warmer on the top of the machines.
- 4 programmable volume keys per group + Semi-automatic key for each group for manual control.
- Automatic cleaning program.
- The CLASSIC Elegant lines and reliable technologies appreciated by coffee professionals, the CLASSIC model is made more attractive by its quality/ price ratio. The CLASSIC is the perfect traditional espresso machine to ensure an excellent quality espresso result, and consistency even during the busiest periods of the day.
- Heavy duty components and welded construction, a direct mounted boiler group head for thermal stability and reliable extraction, easy access to components for uncomplicated servicability, and unlimited steam.
- The tall cup configuration allows the barista to easily prepare large size drinks according to the larger cup clearance available.
- Programmable steam and hot water.
- Steamair milk auto-frother programmable outlet.

Construction

- Built-in cup warmer.

Optional Accessories

- | | | |
|----------------------|------------|--------------------------|
| • - NOT TRANSLATED - | PNC 871010 | <input type="checkbox"/> |
| • - NOT TRANSLATED - | PNC 871011 | <input type="checkbox"/> |
| • - NOT TRANSLATED - | PNC 871012 | <input type="checkbox"/> |
| • - NOT TRANSLATED - | PNC 871013 | <input type="checkbox"/> |
| • - NOT TRANSLATED - | PNC 871017 | <input type="checkbox"/> |
| • - NOT TRANSLATED - | PNC 871018 | <input type="checkbox"/> |
| • - NOT TRANSLATED - | PNC 871019 | <input type="checkbox"/> |

CLASSIC PLUS 1 group, Tall cup, Steamair

Electric

Supply voltage: 110 V/1 ph/60 Hz
 Electrical power, max: 1.7 kW
 Plug type: Cable without plug

Water:

Cold water temperature (min/max): 5 / 60 °C

Key Information:

External dimensions, Height: 25 9/16" (650 mm)
 External dimensions, Weight: 99 lbs (45 kg)
 Net weight: 99 lbs (45 kg)
 Shipping width: 19 11/16" (500 mm)
 Shipping depth: 29 1/2" (750 mm)
 Shipping height: 33 1/16" (840 mm)
 Shipping weight: 121 lbs (55 kg)
 Shipping volume: 0.3 m³

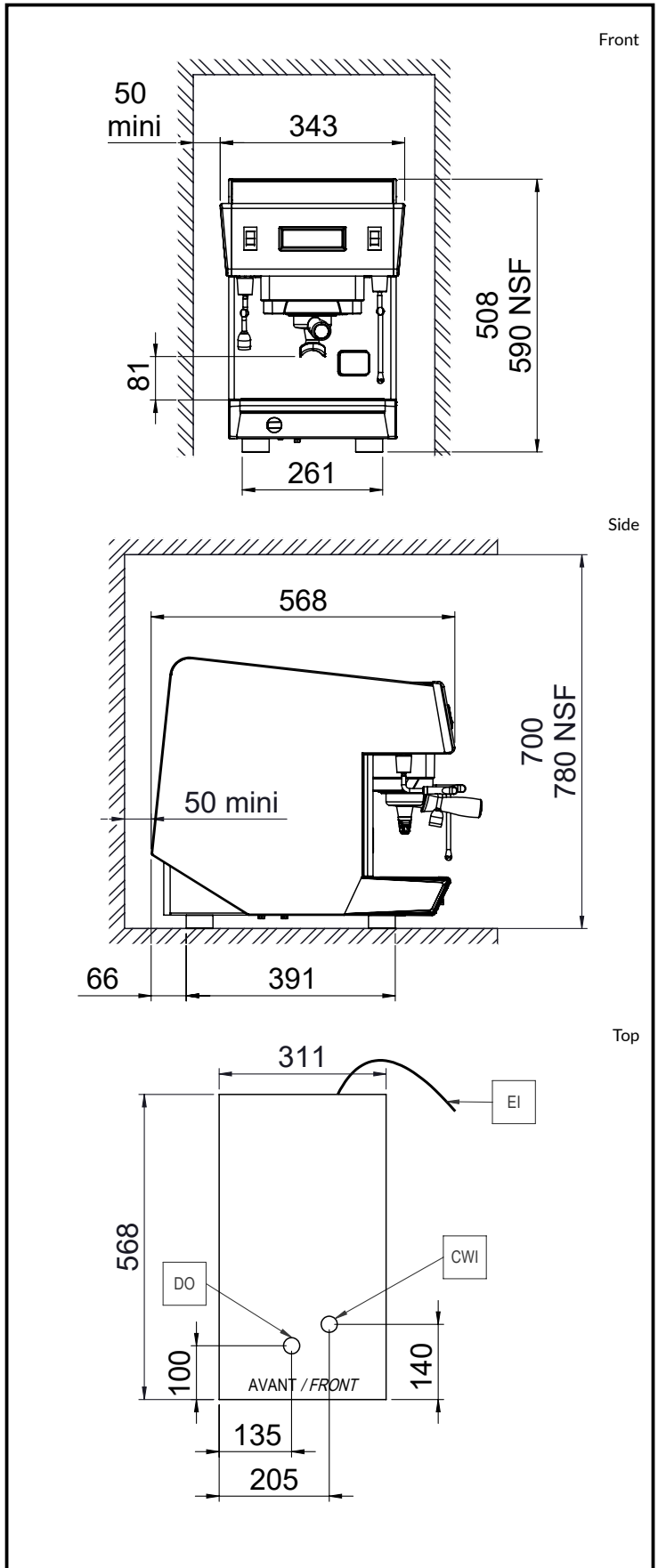
Certifications



The company reserves the right to make modifications to the products without prior notice. All information correct at time of printing.

2026.04.04

Part of  Electrolux Professional Group



UNIC