

TANGO ACE 120, Steamair



Ref602739 (ACE120SAUL)

Super Automatic Espresso Machine

- 1 Group
- 2 Grinders
- No Milk System - Steamair - Mitigated Hot Water
- 208-240V 1N 60~Hz
- UL/NSF Certified
- Shiny Black

General Features

The Tango® Ace impresses its users with an exceptional result in every cup, and the quality of its equipment makes it a highly reliable choice for demanding professional use.

The Tango® Ace fitted with a 7 inches touchscreen, offers a 48 drinks menu, all customizable. Milk-based drinks can be easily prepared with the Cappuccinator device or the Steamair milk auto-frother to process fresh milk into specialty coffee drinks as cappuccino, latte, mocha...

TANGO ACE 120, Steamair

Main Features

- Auto cleaning program.
- 1 group full-automatic machine.
- 6.5 liter steam/coffee boiler.
- Steamair milk auto-frother programmable outlet.
- The super automatic coffee machine Tango® Ace impresses its users with an exceptional result in every cup, and the quality of its equipment makes it a highly reliable choice for demanding professional use.
- The Tango® Ace comes in 3 different colors: shiny white, glossy black and brushed stainless steel, fitted with a new 7" color touch screen user interface. This full automatic coffee machine has a 48 drinks menu, all customizable and comprehensive with the addition of the Cappuccinatore device to process fresh into specialty coffee drinks as cappuccino, latte, mocha...
- Delivery capacity: Espresso 40ml: 220 cups/h Lungo 100ml: 150 cups/h Hot water: 30 L/h

Construction

- PID (proportional-integral-derivative) Temperature control: a precise controller algorithm system that gives consistency and accuracy to brewing temperature management system.
- 2 coffee grinders (1 x 1,7 kg & 1 x 1,2 kg coffee hoppers).
- LCD Touchscreen.

TANGO ACE 120, Steamair

Electric

Supply voltage: 208-240 V/1 ph/60 Hz

Electrical power, max: 5.5 kW

Plug type:

Water:

Cold water temperature (min/max): 5 / 60 °C

Key Information:

External dimensions, Height: 33 5/16" (846 mm)

External dimensions, Weight: 227 lbs (103 kg)

Net weight: 227 lbs (103 kg)

Shipping width: (1100 mm)

Shipping depth: (750 mm)

Shipping height: (840 mm)

Shipping weight: lbs (122 kg)

Shipping volume: 0.7 m³

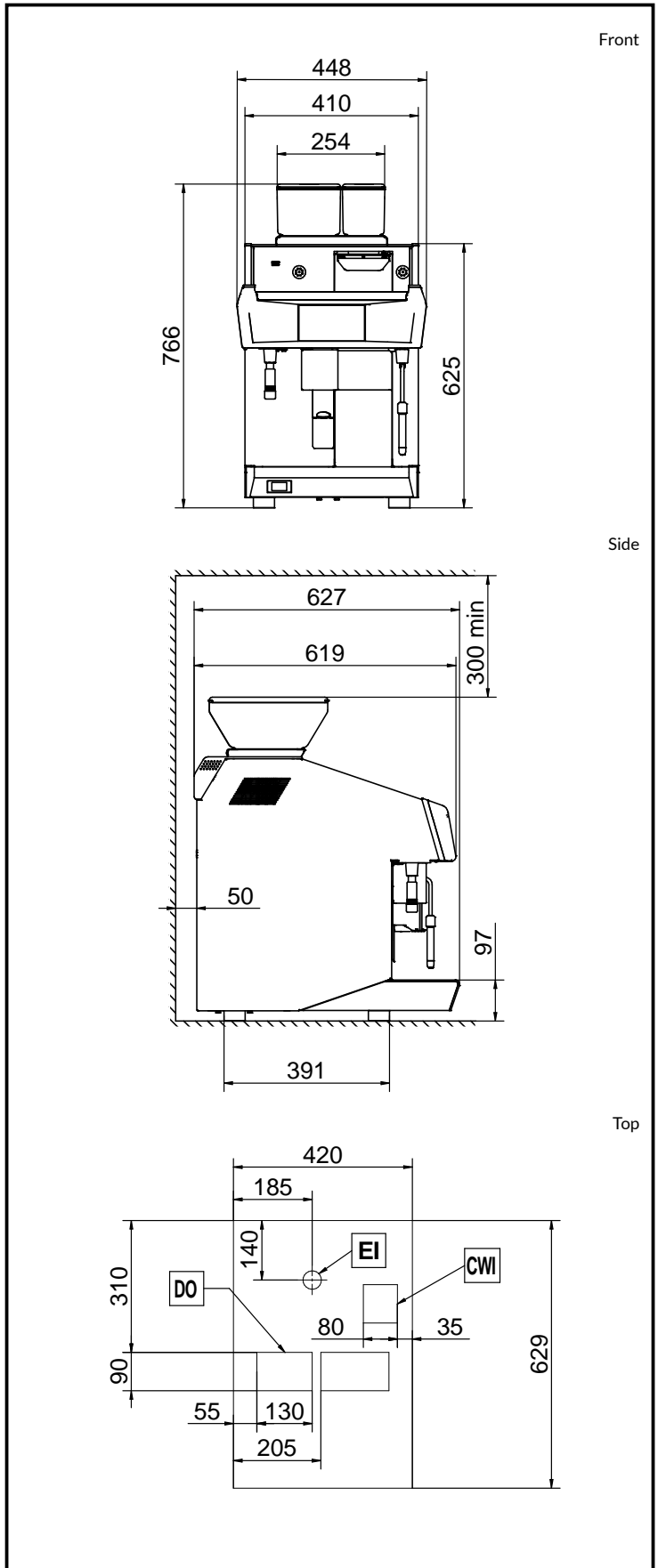
Certifications



The company reserves the right to make modifications to the products without prior notice. All information correct at time of printing.

2026.04.15

Part of  Electrolux Professional Group



UNIC