

Classic 1 group, RL technology



Ref: 602636 (CLASSIC1RL)

Traditional Espresso Machine, 1 group, 6.3 Liter boiler, specific RL technology for high brewing temperature-sensitive coffees or blends, 4 programmable dosing keys, manual Steam & water, automatic cleaning cycle, Stainless steel body

General Features

Traditional 1 group espresso machine with large steam boiler and heat exchanger featuring specific RL technology for high brewing temperature-sensitive coffees or blends. Elegant lines and reliable technologies appreciated by coffee professionals, the CLASSIC model is attractive by its quality/price ratio. Designed for rugged commercial application, the CLASSIC model is the perfect traditional espresso machine to ensure an excellent quality espresso result, consistency and high performance during rush period.

Classic 1 group, RL technology

Main Features

- The CLASSIC Elegant lines and reliable technologies appreciated by coffee professionals, the CLASSIC model is made more attractive by its quality/ price ratio. The CLASSIC is the perfect traditional espresso machine to ensure an excellent quality espresso result, and consistency even during the busiest periods of the day.
- Heavy duty components and welded construction, a direct mounted boiler group head for thermal stability and reliable extraction, easy access to components for uncomplicated servicability, and unlimited steam.
- Maestro brew group: directly to boiler group heads are mounted for shot temperature stability.
- Large cup warming capacity: integrated cup warmer on the top of the machines.
- 4 programmable volume keys per group + Semi-automatic key for each group for manual control.
- Automatic cleaning program.

Construction

- Built-in cup warmer.

Optional Accessories

- | | | |
|---|------------|--------------------------|
| • Filter holder for one cup | PNC 871002 | <input type="checkbox"/> |
| • Filter holder for two cups | PNC 871003 | <input type="checkbox"/> |
| • Filter holder for three cups | PNC 871004 | <input type="checkbox"/> |
| • Knock box drawer for 2-group machines | PNC 871006 | <input type="checkbox"/> |
| • Knock box drawer for 3-group machines | PNC 871007 | <input type="checkbox"/> |
| • Filter for one cup, 12 gr | PNC 871017 | <input type="checkbox"/> |
| • Filter for two cups, 18 gr | PNC 871018 | <input type="checkbox"/> |
| • Stainless steel knock box drawer | PNC 871019 | <input type="checkbox"/> |

Classic 1 group, RL technology

Electric

Supply voltage:

602636 (CLASSIC1RL) 230 V/1 ph/50 Hz

Electrical power max.: 2.9 kW

Plug type:

Water:

Cold water temperature

(min/max): 5 / 60 °C

Key Information:

External dimensions,

Width: 343 mm

External dimensions,

Depth: 568 mm

External dimensions,

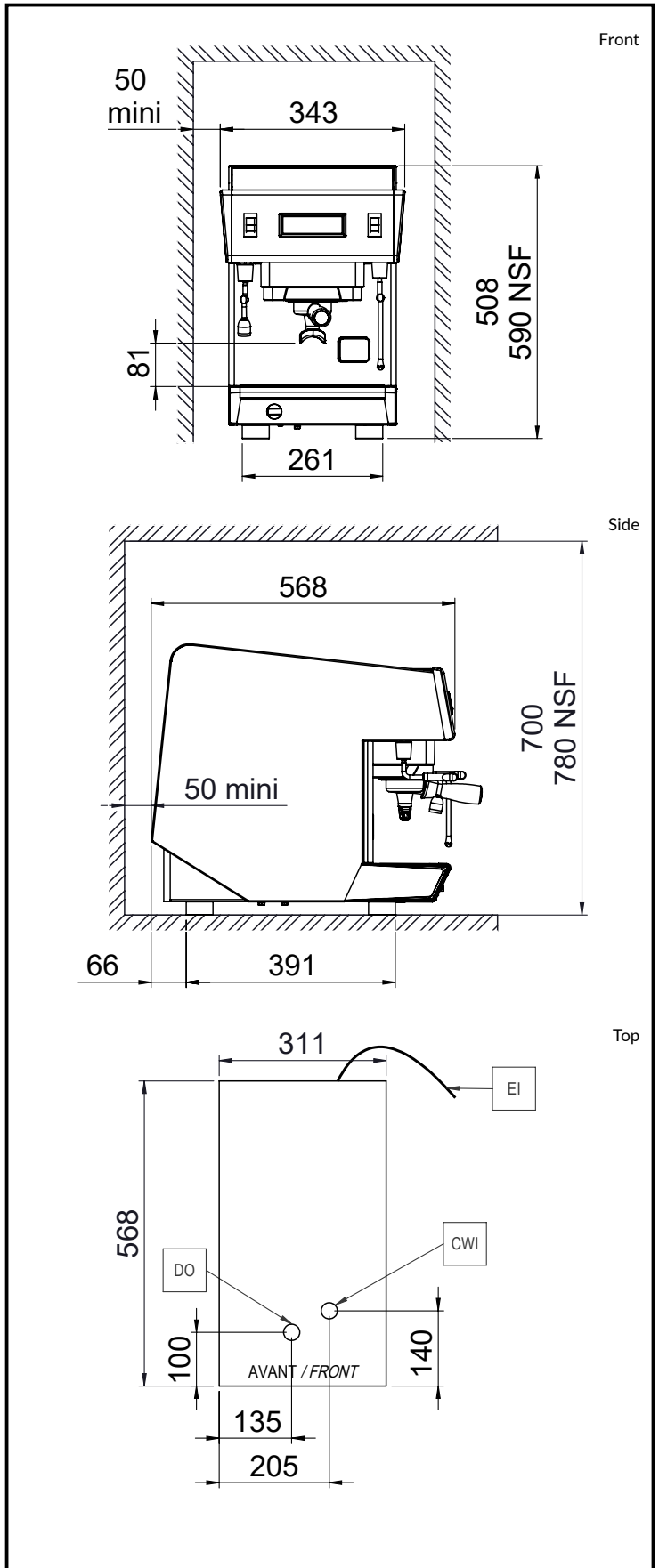
Height: 508 mm

Net weight: 41 kg

Shipping volume: 0.32 m³

Sustainability

Current consumption:



Certifications



The company reserves the right to make modifications to the products without prior notice. All information correct at time of printing.

2023.05.26

Part of  Electrolux Professional Group

UNIC