

Classic 2 groups



**Ref: 602631
(CLASSIC2)**

Traditional espresso machine, 2 groups, 10,1 liter boiler, 2 independent control boxes with 4 programmable dosing program, manual water & steam, automatic cleaning cycle, stainless steel body

General Features

Traditional 2 groups espresso machine with large steam boiler. Elegant lines and reliable technologies appreciated by coffee professionals, the CLASSIC model is made more attractive by its quality/ price ratio. Designed for rugged commercial application, the CLASSIC is the perfect traditional espresso machine to ensure an excellent quality espresso result, consistency and high performance during rush period.

Classic 2 groups

Main Features

- Heavy duty components and welded construction, a direct mounted boiler group head for thermal stability and reliable extraction, easy access to components for uncomplicated servcability, and unlimited steam.
- Maestro brew group: directly to boiler group heads are mounted for shot temperature stability.
- Large cup warming capacity: integrated cup warmer on the top of the machines.
- 4 programmable volume keys per group + Semi-automatic key for each group for manual control.
- Automatic cleaning program.

Construction

- 2 stainless steel Steam arms / 2 Steam switches on, off and pulse positions.
- Built-in cup warmer.

Optional Accessories

- | | | |
|---|------------|--------------------------|
| • Filter holder for one cup | PNC 871002 | <input type="checkbox"/> |
| • Filter holder for two cups | PNC 871003 | <input type="checkbox"/> |
| • Filter holder for three cups | PNC 871004 | <input type="checkbox"/> |
| • Knock box drawer for 2-group machines | PNC 871006 | <input type="checkbox"/> |
| • Knock box drawer for 3-group machines | PNC 871007 | <input type="checkbox"/> |
| • Filter for one cup, 12 gr | PNC 871017 | <input type="checkbox"/> |
| • Filter for two cups, 18 gr | PNC 871018 | <input type="checkbox"/> |
| • Stainless steel knock box drawer | PNC 871019 | <input type="checkbox"/> |

Classic 2 groups

Electric

Supply voltage:

602631 (CLASSIC2) 400 V/3N ph/50 Hz

Electrical power max.: 4.6 kW

Plug type:

Water:

Cold water temperature
(min/max):

5 / 60 °C

Key Information:

External dimensions,

Width: 642 mm

External dimensions,

Depth: 568 mm

External dimensions,

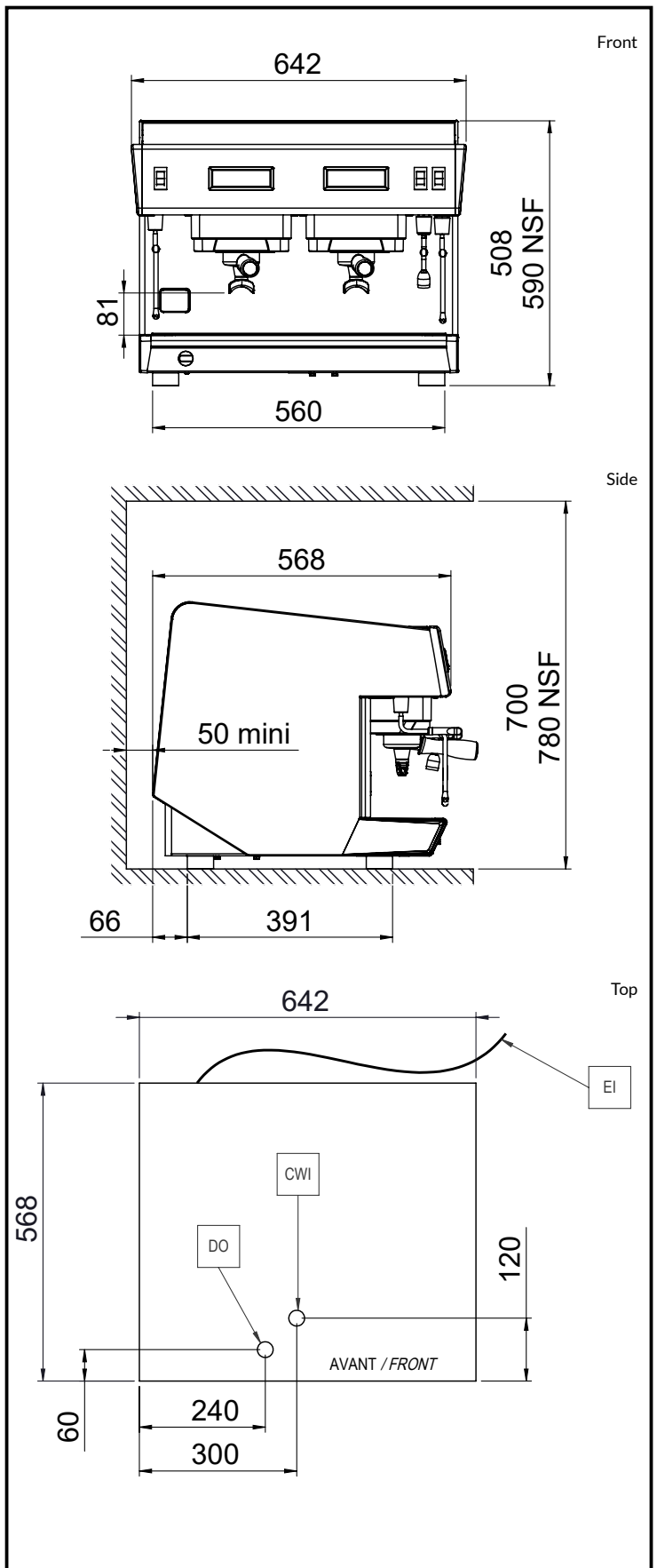
Height: 508 mm

Net weight: 55 kg

Shipping volume: 0.69 m³

Sustainability

Current consumption:



Certifications



The company reserves the right to make modifications to the products without prior notice. All information correct at time of printing.

2023.05.26

Part of  Electrolux Professional Group

UNIC