

Classic e 2 groups, Steamair



Ref: 604031
(CH2.CB.230.3K.SA)

Traditional Espresso Machine

- 2 Groups
- Cool Touch Steam - Hot Water - Steamair
- Inox
- 230 V 1N 50~Hz 3kW
- CE/CB Certified

General Features

The Classic e's elegant lines are underlined by a control board featuring new control buttons. User-friendly and low-maintenance, it delivers features that ensure perfect coffee extraction of consistent quality, and high performance during periods of intensive use.

Classic e 2 groups, Steamair

Main Features

- Heavy duty components and welded construction, a direct mounted boiler group head for thermal stability and reliable extraction, easy access to components for uncomplicated servicing, and unlimited steam.
- Maestro brew group: directly to boiler group heads are mounted for shot temperature stability.
- 4 programmable volume keys per group + Semi-automatic key for each group for manual control.
- Automatic cleaning cycle.
- Programmable water and steam.
- Manual Steamglide lever.
- Steamair milk auto-frother programmable outlet.
- Cool touch steam outlets to control steam without the risk of burns, easier to clean after each use

Construction

- Built-in cup warmer.
- Stainless steel body.
- PID (proportional-integral-derivative) Temperature control: a precise controller algorithm system that gives consistency and accuracy to brewing temperature management system.

Sustainability

- Standby mode for controlled management of energy consumption

Optional Accessories

- | | | |
|---|------------|--------------------------|
| • Filter holder for one cup | PNC 871002 | <input type="checkbox"/> |
| • Filter holder for two cups | PNC 871003 | <input type="checkbox"/> |
| • Filter holder for three cups | PNC 871004 | <input type="checkbox"/> |
| • Knock box drawer for 2-group machines | PNC 871006 | <input type="checkbox"/> |
| • Filter for one cup, 12 gr | PNC 871017 | <input type="checkbox"/> |
| • Filter for two cups, 18 gr | PNC 871018 | <input type="checkbox"/> |
| • Stainless steel knock box drawer | PNC 871019 | <input type="checkbox"/> |

Classic e 2 groups, Steamair

Electric

Supply voltage:	200-240 V/1N ph/50/60 Hz
Electrical power, max:	3.4 kW
Current consumption:	14.5 Amps
Plug type:	Cable without plug

Water:

Cold water temperature (min/max):	5 / 60 °C
--------------------------------------	-----------

Key Information:

Net weight:	54 kg
Shipping weight:	80 kg
Shipping height:	840 mm
Shipping width:	1100 mm
Shipping depth:	750 mm
Shipping volume:	0.69 m ³

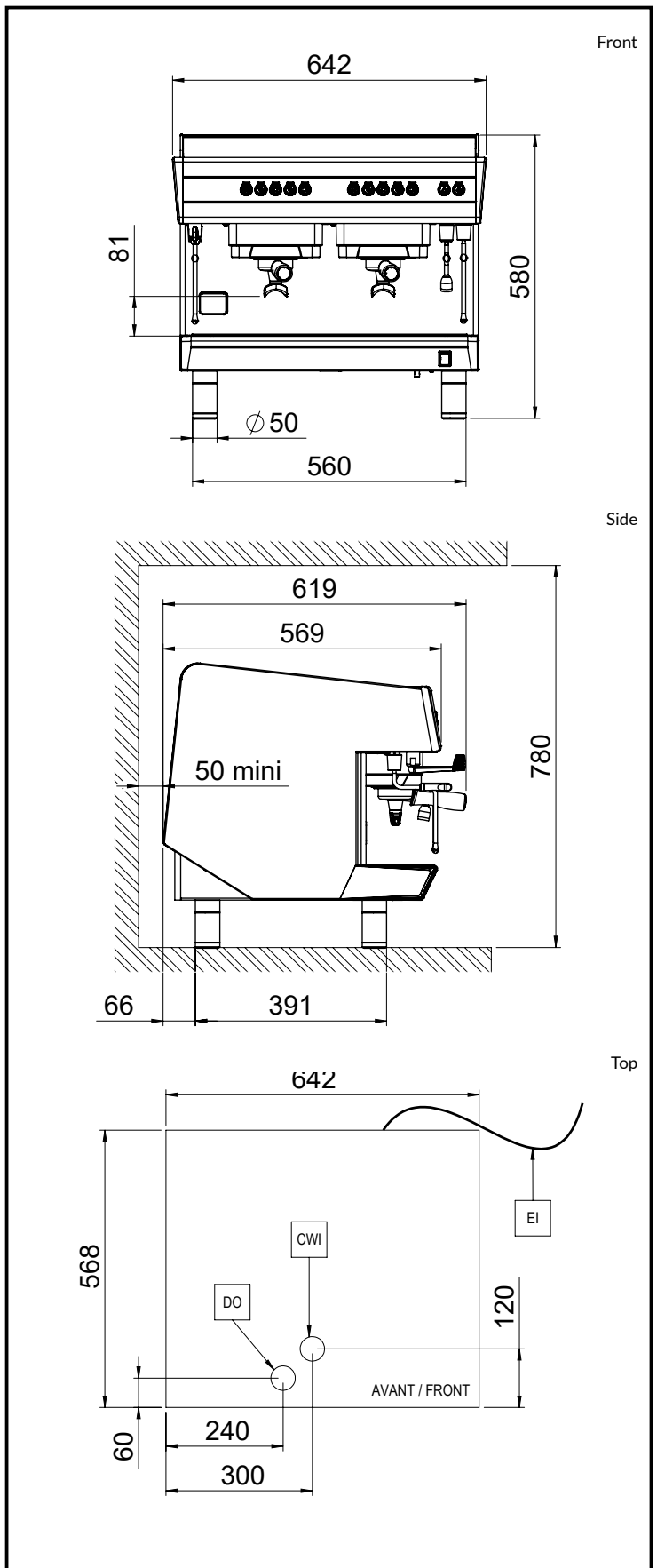
Certifications



The company reserves the right to make modifications to the products without prior notice. All information correct at time of printing.

2026.04.04

Part of  Electrolux
Professional
Group



UNIC