

## Classic e 2 groups



**Ref: 604035**  
**(CH2.CB.230.3K)**

Traditional Espresso Machine

- 2 Groups
- Cool Touch Steam - Hot Water - Cool Touch Steam
- Inox
- 230 V 1N 50~Hz 3kW
- CE/CB Certified

### General Features

The Classic e's elegant lines are underlined by a control board featuring new control buttons. User-friendly and low-maintenance, it delivers features that ensure perfect coffee extraction of consistent quality, and high performance during periods of intensive use.

# Classic e 2 groups

## Main Features

- Heavy duty components and welded construction, a direct mounted boiler group head for thermal stability and reliable extraction, easy access to components for uncomplicated servcability, and unlimited steam.
- Maestro brew group: directly to boiler group heads are mounted for shot temperature stability.
- 4 programmable volume keys per group + Semi-automatic key for each group for manual control.
- Programmable water and steam.
- Automatic cleaning cycle.
- Manual Steamglide lever.
- Cool touch steam outlets to control steam without the risk of burns, easier to clean after each use

## Construction

- Built-in cup warmer.
- Stainless steel body.
- PID (proportional-integral-derivative) Temperature control: a precise controller algorithm system that gives consistency and accuracy to brewing temperature management system.

## Sustainability

- Standby mode for controlled management of energy consumption

## Included Accessories

- 1 of Filter holder for one cup PNC 871002
- 2 of Filter holder for two cups PNC 871003

## Optional Accessories

- Filter holder for one cup PNC 871002
- Filter holder for two cups PNC 871003
- Filter holder for three cups PNC 871004
- Knock box drawer for 2-group machines PNC 871006
- Filter for one cup, 12 gr PNC 871017
- Filter for two cups, 18 gr PNC 871018
- Stainless steel knock box drawer PNC 871019

# Classic e 2 groups

## Electric

|                        |                             |
|------------------------|-----------------------------|
| Supply voltage:        | 200-240 V/1N<br>ph/50/60 Hz |
| Electrical power, max: | 3.6 kW                      |
| Current consumption:   | 15 Amps                     |
| Plug type:             | Cable without plug          |

## Water:

|                                      |           |
|--------------------------------------|-----------|
| Cold water temperature<br>(min/max): | 5 / 60 °C |
|--------------------------------------|-----------|

## Key Information:

|                  |                     |
|------------------|---------------------|
| Net weight:      | 54 kg               |
| Shipping weight: | 80 kg               |
| Shipping height: | 840 mm              |
| Shipping width:  | 1100 mm             |
| Shipping depth:  | 750 mm              |
| Shipping volume: | 0.69 m <sup>3</sup> |

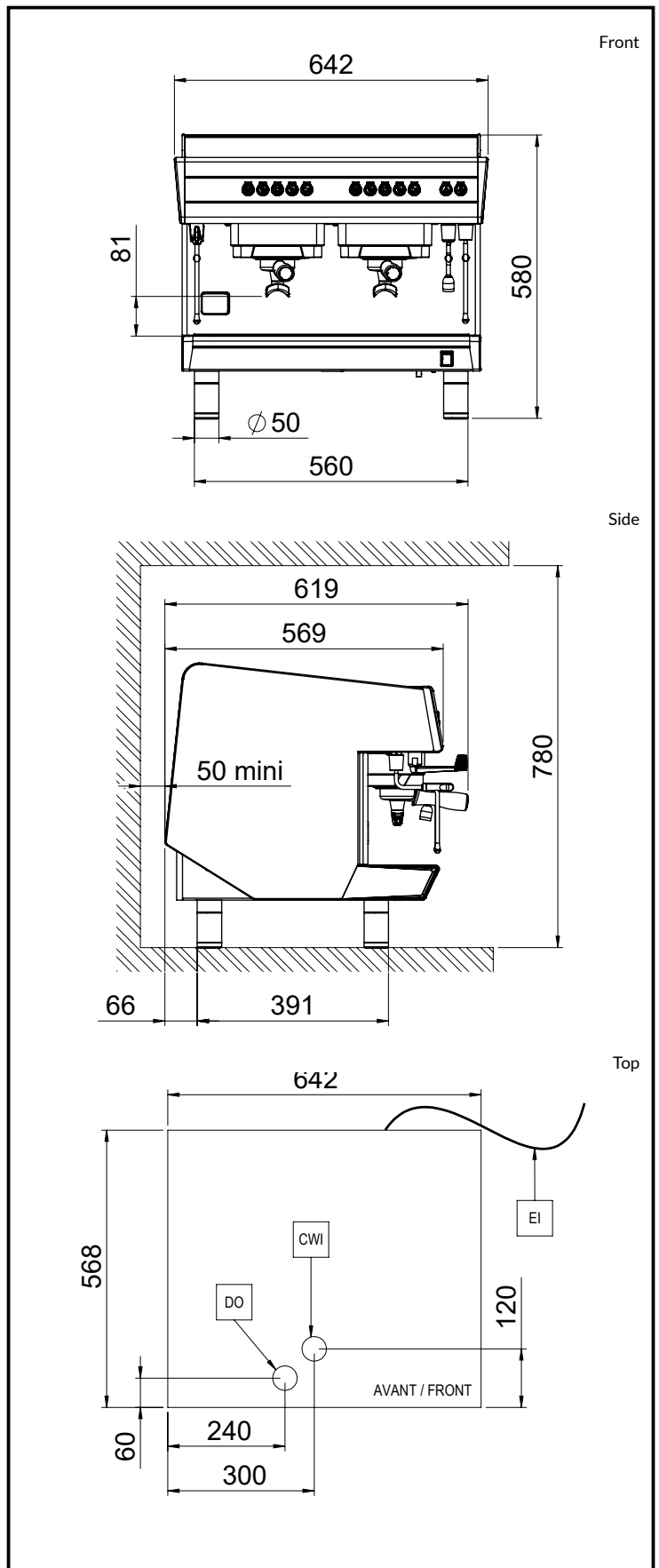
## Certifications



The company reserves the right to make modifications to the products without prior notice. All information correct at time of printing.

2026.04.04

Part of  Electrolux  
Professional  
Group



# UNIC