

TANGO ACE 120, Steamair



Ref: 602617
(UTANGOACE1SA)

Super Automatic Espresso Machine

- 1 Group
- 2 Grinders
- No Milk System - Steamair - Std Hot Water
- 380-415V 3N 50/60~Hz
- CE/CB Certified
- Shiny Black

General Features

The Tango® Ace impresses its users with an exceptional result in every cup, and the quality of its equipment makes it a highly reliable choice for demanding professional use.

The Tango® Ace fitted with a 7 inches touchscreen, offers a 48 drinks menu, all customizable. Milk-based drinks can be easily prepared with the Cappuccinator device or the Steamair milk auto-frother to process fresh milk into specialty coffee drinks as cappuccino, latte, mocha...

TANGO ACE 120, Steamair

Main Features

- 1 group full-automatic machine.
- 6.5 liter steam/coffee boiler.
- Auto cleaning program.
- Steamair milk auto-frother programmable outlet.
- The super automatic coffee machine Tango® Ace impresses its users with an exceptional result in every cup, and the quality of its equipment makes it a highly reliable choice for demanding professional use.
- The Tango® Ace comes in 3 different colors: shiny white, glossy black and brushed stainless steel, fitted with a new 7" color touch screen user interface. This full automatic coffee machine has a 48 drinks menu, all customizable and comprehensive with the addition of the Cappuccinatore device to process fresh into specialty coffee drinks as cappuccino, latte, mocha...
- Delivery capacity:

Espresso 40ml: 220 cups/h

Lungo 100ml: 150 cups/h

Hot water: 30 L/h

Construction

- 2 coffee grinders (1 x 1,7 kg & 1 x 1,2 kg coffee hoppers).
- LCD Touchscreen.
- PID (proportional-integral-derivative) Temperature control: a precise controller algorithm system that gives consistency and accuracy to brewing temperature management system.

TANGO ACE 120, Steamair

Electric

Supply voltage: 400 V/3N ph/50 Hz

Electrical power, max: 5.2 kW

Plug type: Cable without plug

Water:

Cold water temperature (min/max): 5 / 60 °C

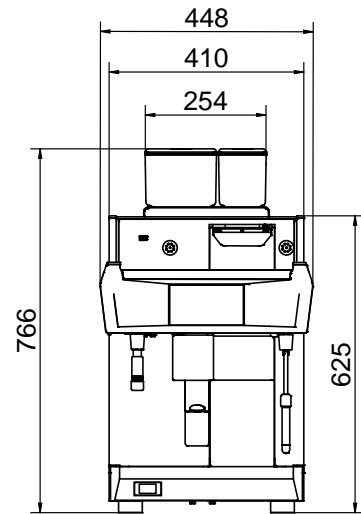
Key Information:

Net weight: 103 kg

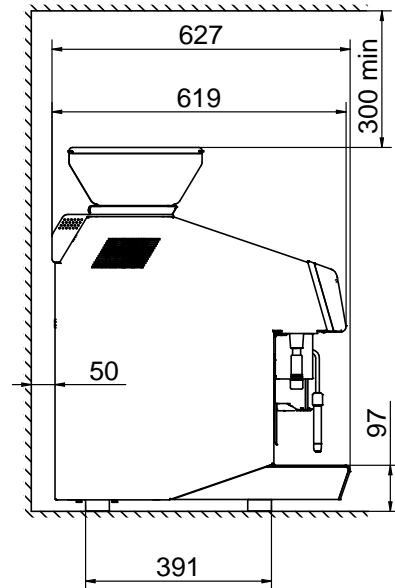
Shipping volume: 0.69 m³

Sustainability

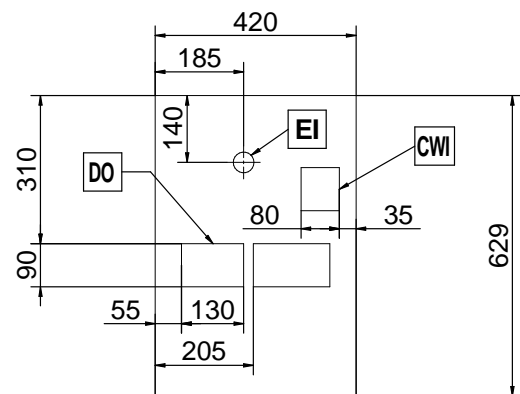
Current consumption: 7.5 Amps



Front



Side



Top

Certifications



The company reserves the right to make modifications to the products without prior notice. All information correct at time of printing.

2026.04.15

Part of  Electrolux Professional Group

UNIC