

TANGO ACE MT, Cappuccinatore device, Self version



Ref: 602624 (UTANGOACEMTSELFCLC)

Full-automatic machine, 1 group, 220x40 ml espresso cup/hr, 6,5 liter steam/coffee boiler, 1x1,7 kg coffee hopper for beans, 0,8-1,5 kg hopper for powder, hot water, Cappuccinatore device for hot milk and foam drinks

General Features

The super automatic multi-products Tango® ACE MT takes advantage of the reliability, usability and exceptional extraction quality that has established the reputation of the TANGO® range, and the ability to work with powdered products such as cocoa.

In its Self version, the Tango® ACE comes with lockers for beans and powder products hoppers and waste coffee drawer, it has no steam outlet neither ground coffee box for security reason. The Tango® ACE MT Self version is ideal for using in all self-service areas with its self-explanatory 7" color touch screen user interface easy to use.

With the addition of the Cappuccinatore device, the Tango® ACE MT Self offers the choice of fresh milk-based beverages as hot chocolate at the push of a button.

Delivery Capacity:

Espresso 40ml: 220 cups/h

Lungo 100ml: 150 cups/h

Hot chocolate 250ml: 110 cups/h

Cappuccino 100ml: 170 cups/h

Latte 100ml: 150 cups/h

Latte macchiato 300ml: 80 cups/h

Hot Water: 30 L/h

TANGO ACE MT, Cappuccinatore device, Self version

Main Features

- 1 group full-automatic multi-products machine with self service configuration
- 6.5 liter steam/coffee boiler.
- Programmable hot water.
- Tango Cappuccinatore device with double feature L: for hot milk and C: for foam by air injection.
- Tango® ACE comes with lockers for beans and powder products hoppers and waste coffee drawer, it has no steam outlet neither ground coffee box for security reason.
- The super automatic multi-products Tango® ACE MT takes advantage of the reliability, usability and exceptional extraction quality that has established the reputation of the TANGO® range, and the ability to work with powdered products such as cocoa.
- The Tango® ACE MT Self version is ideal for using in all self-service areas with its self-explanatory 7" color touch screen user interface easy to use.
- With the addition of the Cappuccinatore device, the Tango® ACE MT Self offers the choice of fresh milk-based beverages as hot chocolate at the push of a button.
- Delivery Capacity:
Espresso 40ml: 220 cups/h
Lungo 100ml: 150 cups/h
Hot chocolate 250ml: 110 cups/h
Cappuccino 100ml: 170 cups/h
Latte 100ml: 150 cups/h
Latte macchiato 300ml: 80 cups/h
Hot Water: 30 L/h

Construction

- 1 x 1,7 kg coffee hopper & coffee grinder + (0,8 at 1,5) kg hopper for powder.
- LCD Touchscreen.
- PID (proportional-integral-derivative) Temperature control: a precise controller algorithm system that gives consistency and accuracy to brewing temperature management system.
- Safety locks.

Optional Accessories

- Side milk refrigerator 8 liter nominal capacity for up to 4 liter milk containers PNC 871014
- Side milk refrigerator 8 liter nominal capacity for up to 4 liter milk containers with digital display PNC 871015
- TANGO hotel/breakfast service kit PNC 871022
- Coffee ground direct discharge chute PNC 871023

TANGO ACE MT, Cappuccinatore device, Self version

Electric

Supply voltage:

602624
(UTANGOACEMTSELFCL)400 V/3N ph/50 Hz

Electrical power max.: 5.2 kW

Plug type: Cable without plug

Water:

Cold water temperature
(min/max): 5 / 60 °C

Key Information:

External dimensions,

Width: 448 mm

External dimensions,

Depth: 627 mm

External dimensions,

Height: 766 mm

Net weight: 91 kg

Shipping volume: 0.69 m³

Sustainability

Current consumption: 14.5 Amps

Certifications



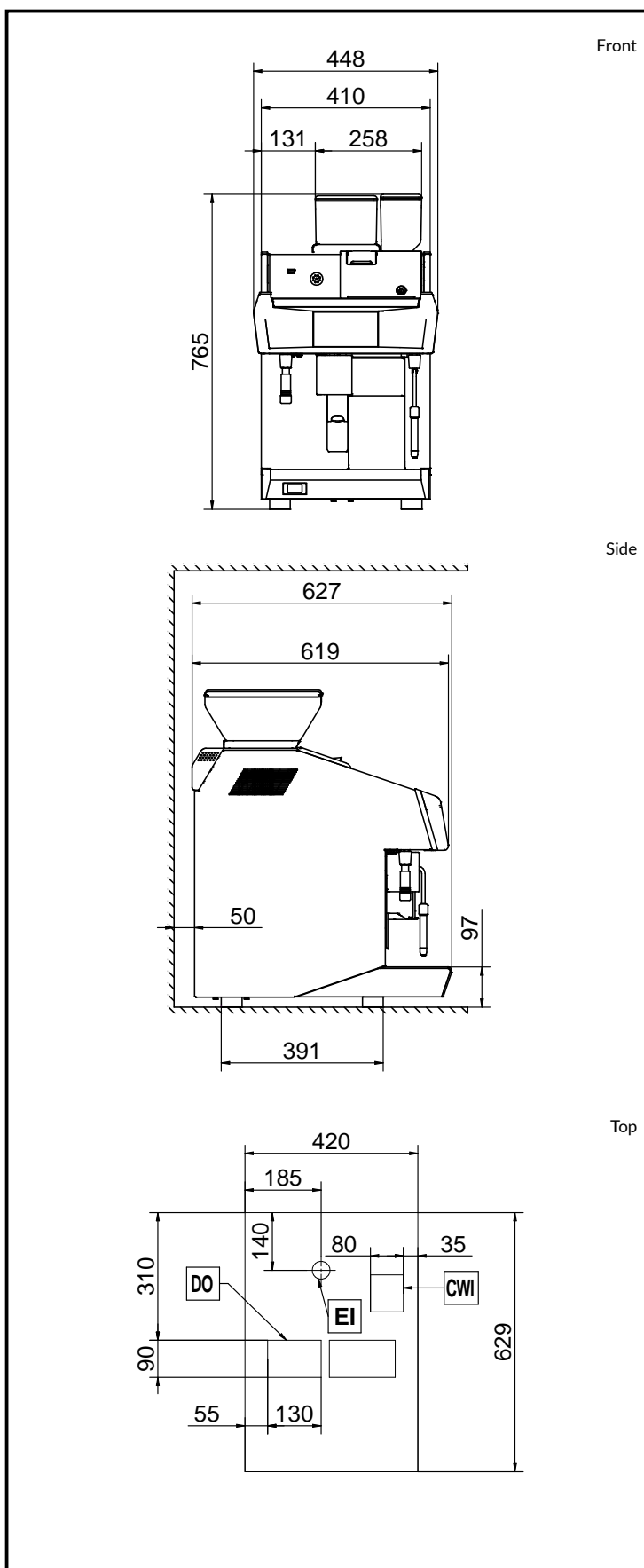
The company reserves the right to make modifications to the products without prior notice. All information correct at time of printing.

2023.11.18

Part of



Electrolux
Professional
Group



UNIC