

Blast Chillers-Freezers CW Blast Chiller-Freezer Crosswise 6 1/1 - 12,5/7kg (R452A)

ITEM # _____

MODEL # _____

NAME # _____

SIS # _____

AIA # _____

**110836 (BCF7A)**Blast chiller & freezer
12,5/7kg, compatible with
6x1/1GN crosswise oven -
R452A

Short Form Specification

Item No.

- Blast chiller/freezer with digital temperature and time display
- For 6 GN 1/1 or 5 600x400 mm trays
- Load capacity: chilling 12,5 kg (UK guidelines); freezing 7 kg (UK guidelines)
- Single sensor core probe
- Operating air temperature: +3 -41°C
- Automatic and manual defrosting
- Blast chilling real residual time estimation (A.R.T.E.)
- Turbo cooling function
- Specific cycles for ice cream
- Evaporator with antirust protection
- HACCP and Service alarms with data logging
- Main components in 304 AISI stainless steel
- Internal rounded corners and drain
- Cyclopentane insulation (HCFC, CFC and HFC free)
- Built-in refrigeration unit
- R452a refrigerant gas (HCFC and CFC free)
- Performance guaranteed at ambient temperatures of 40°C

Main Features

- Blast Chilling cycle: 12,5 kg from 90°C up to 3°C in less than 90 minutes.
- Blast Freezing cycle: 7 kg from 90°C up to -18°C in less than 240 min.
- Easy-to-use, electronic control panel. Fully programmable.
- Soft Chilling (air temperature -2°C).
- Hard Chilling (air temperature -20°C).
- Freezing (air temperature -36°C)
- Turbo cooling: chiller works continuously at the desired temperature; ideal for continuous production.
- Control unit provides two large displays to read out: time, core temperature, cycle countdown, alarms, service information.
- All information related to the different operating models are recorded: date, time, cycle, core temperature, holding temperature, HACCP accordance.
- Two customizable cycles (P1 & P2) for each operating mode, allowing to set the time and air temperature. These programs can be converted into ice-cream specialized cycles (shape maintenance and holding).
- Single sensor core probe as standard.
- Control unit provides several operating settings (programmable parameters): time/core temperature according to NF and UK regulations, time/air temperature/probe personalized according to national regulations, 3 single sensor or 3-sensor temperature probes (as accessory), ideal for meats, automatic defrosting and manual defrosting.
- Remaining time estimation for probe-driven cycles based on artificial intelligence techniques (ARTE) for an easier planning of the activities.
- Performance guaranteed at ambient temperatures of +40°C.
- Automatic and manual defrosting.

Construction

- Seamless hygienic inner cell with all rounded corners for easy cleaning.
- Swing hinged front panel for easy service access to main components.
- Internal and external finishing in 304 AISI stainless steel and backpanel in galvanized steel.
- Environmentally friendly: R452a as refrigerant gas.
- Main components in 304 AISI stainless steel.
- Inner cell with fully rounded corners.
- Ventilator swinging hinged panel for access to the evaporator for cleaning.
- No water connections required.
- Waste water can be plumbed into drain, but can also be collected in an optional waste container.
- Built-in refrigeration unit.
- Removable magnetic door gasket with hygienic design.
- 6 levels available. Usable with 5 GN 1/1 or 600x400 mm trays.

Sustainability

- Holding at +3 °C for chilling or -36 °C for freezing, automatically activated at the end of each cycle, to save energy and maintain the target temperature (manual

APPROVAL: _____



Blast Chillers-Freezers CW Blast Chiller-Freezer Crosswise 6 1/1 - 12,5/7kg (R452A)

activation is also possible).

- High density polyurethane insulation, 60 mm thickness, HCFC free.
- Holding at +3 °C for chilling or -22 °C for freezing, automatically activated at the end of each cycle, to save energy and maintain the target temperature (manual activation is also possible).

Included Accessories

- 1 of 1 extra single-sensor probe for blast chiller and blast chiller&freezers PNC 880213

Optional Accessories

- 1 extra single-sensor probe for blast chiller and blast chiller&freezers PNC 880213
- Pair of 1/1 GN grids in 304 AISI PNC 921101

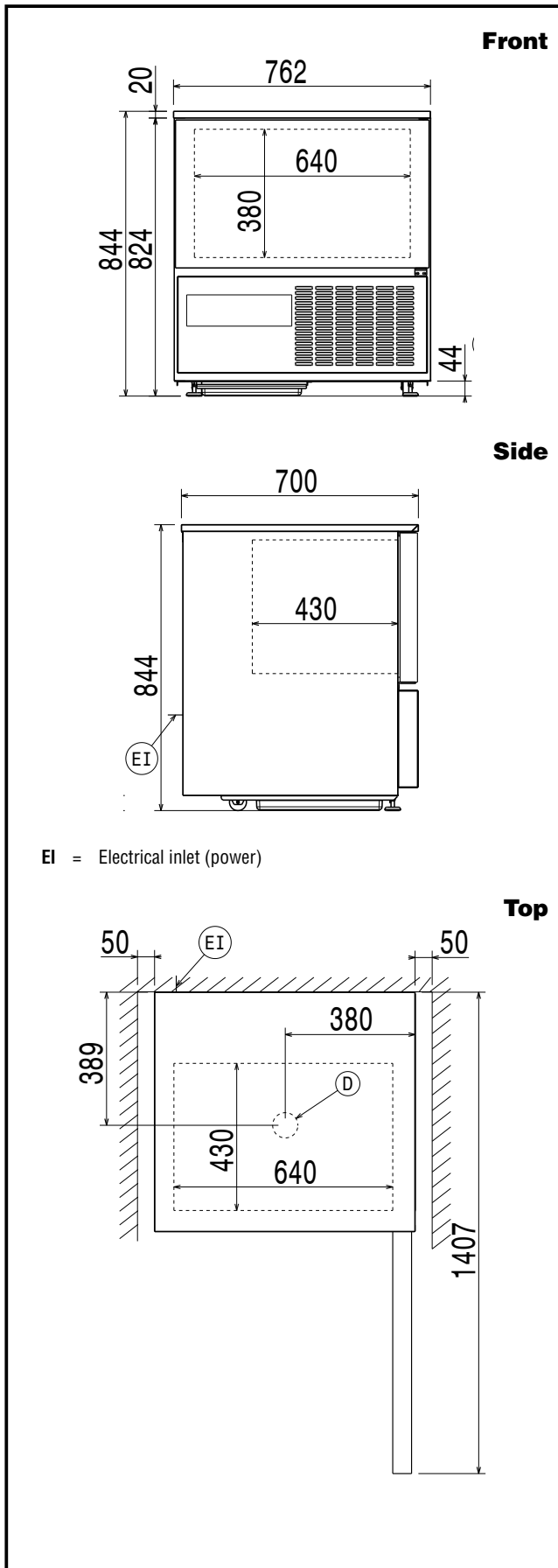


**Blast Chillers-Freezers CW
Blast Chiller-Freezer Crosswise 6 1/1 - 12,5/7kg (R452A)**

The company reserves the right to make modifications to the products without prior notice. All information correct at time of printing.

2024.04.18

Blast Chillers-Freezers CW Blast Chiller-Freezer Crosswise 6 1/1 - 12,5/7kg (R452A)



EI = Electrical inlet (power)

Electric

Supply voltage:	230 V/1 ph/50 Hz
110836 (BCF7A)	
Electrical power max.:	0.73 kW
Circuit breaker required	

Installation:

Clearance:	5 cm on sides and back.
Please see and follow detailed installation instructions provided with the unit	

Capacity:

GN:	6 - 1/1 containers
-----	--------------------

Key Information:

External dimensions, Width:	762 mm
External dimensions, Depth:	700 mm
External dimensions, Height:	844 mm
Net weight:	95 kg
Shipping weight:	97 kg
Shipping volume:	0.69 m ³

Refrigeration Data

Control type:	Electronic
Refrigeration power at evaporation temperature:	-23.3 °C

Product Information (EN17032 - Commission Regulation EU 2015/1095)

Chilling Cycle Time (+65°C to +10°C):	113 min
Full load capacity (chilling):	15 kg
Freezing Cycle Time (+65°C to -18°C):	250 min
Full load capacity (freezing):	5 kg

Sustainability

Refrigerant type:	R452A
GWP Index:	2141
Refrigeration power:	234 W
Refrigerant weight:	460 g
Energy consumption, cycle (chilling):	0.094 kWh/kg
Energy consumption, cycle (freezing):	0.507 kWh/kg

Blast Chillers-Freezers CW
Blast Chiller-Freezer Crosswise 6 1/1 - 12,5/7kg (R452A)

The company reserves the right to make modifications to the products without prior notice. All information correct at time of printing.