

**Modular Cooking Range Line
700XP Gas Solid Top on Gas
Oven**

ITEM # _____

MODEL # _____

NAME # _____

SIS # _____

AIA # _____



372217 (Z7STGH10GA)

Gas solid top (13 kW) on oven (6 kW), full module - (AGA)

372218 (Z7STGL301A)

Gas solid top (24 kW) on oven (6 kW) and open cupboard

Main Features

- All major compartments located in front of unit for ease of maintenance.
- Durable cast iron cooking plate, easy to clean.
- Central burner with optimized combustion, flame failure device and protected pilot light.
- Gas heated, 7 kW central burner, solid top.
- Oven thermostat adjustable from 110 °C to 270 °C.
- Pans can easily be moved from one area to another without lifting.
- Temperature gradients to satisfy different cooking needs, provided over the whole plate thanks to the temperature fine-tuning by zone.
- The center of the plate can reach a maximum temperature of 500 °C while decreasing outwards.
- Various sizes of pans can be used at the same time due to large surface area with no intermediate sectors.
- Base compartment consists of a gas heated standard oven with stainless steel burners and self stabilizing flame positioned beneath the base plate. Stainless steel oven chamber to have 3 levels of runners to accommodate 2/1 GN shelves (2 steam pans) and ribbed enamelled steel base plate.

Construction

- Model has right-angled side edges to allow flush fitting joints between units, eliminating gaps and possible dirt traps.
- One piece pressed 1.5 mm work top in Stainless steel.
- All exterior panels in Stainless Steel with Scotch Brite finishing.
- IPX4 water resistance certification.

Included Accessories

- 1 of Grid kit for EVO700 ovens - Aus PNC 206282

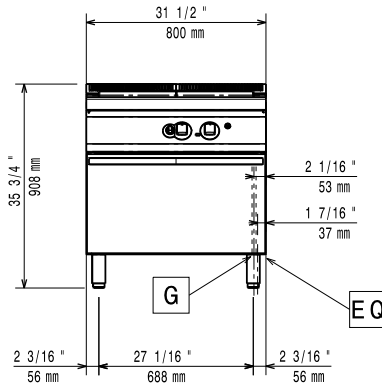
Optional Accessories

- GN2/1 chrome grid for static oven (only for 372218) PNC 164250
- Junction sealing kit PNC 206086
- Draught diverter, 150 mm diameter PNC 206132
- Matching ring for flue condenser, 150 mm diameter PNC 206133
- 4 wheels, 2 swivelling with brake (EVO700/900). It is mandatory to install with base supports for feet/wheels. PNC 206135
- Flanged feet kit PNC 206136
- Frontal kicking strip for concrete installation, 800 mm (only for 372217) PNC 206148
- Frontal kicking strip for concrete installation, 1000 mm (only for 372217) PNC 206150
- Frontal kicking strip for concrete installation, 1200 mm PNC 206151

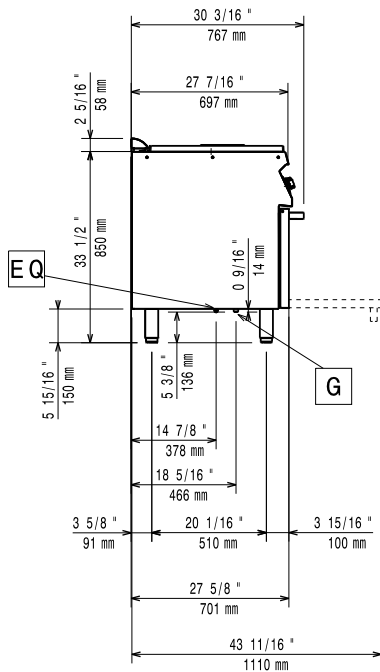
APPROVAL: _____

• Frontal kicking strip for concrete installation, 1600 mm	PNC 206152	<input type="checkbox"/>	• Rear paneling - 1000mm (EVO700/900) (only for 372217)	PNC 206375	<input type="checkbox"/>
• Frontal handrail 800 mm (only for 372217)	PNC 206167	<input type="checkbox"/>	• Rear paneling - 1200mm (EVO700/900)	PNC 206376	<input type="checkbox"/>
• Frontal kicking strip, 800 mm (only for 372217)	PNC 206176	<input type="checkbox"/>	• Chimney grid net, 400mm (only for 372217)	PNC 206400	<input type="checkbox"/>
• Frontal kicking strip, 1000 mm (only for 372217)	PNC 206177	<input type="checkbox"/>	• Chimney grid net, 500mm (only for 372218)	PNC 206402	<input type="checkbox"/>
• Frontal kicking strip, 1200 mm	PNC 206178	<input type="checkbox"/>	• Pressure regulator for gas units	PNC 927225	<input type="checkbox"/>
• Frontal kicking strip, 1600 mm	PNC 206179	<input type="checkbox"/>			
• Large handrail (portioning shelf) 800 mm (only for 372217)	PNC 206186	<input type="checkbox"/>			
• Frontal handrail 1200 mm	PNC 206191	<input type="checkbox"/>			
• Frontal handrail 1600 mm	PNC 206192	<input type="checkbox"/>			
• 4 feet for concrete installation (not for 900 line freestanding grill)	PNC 206210	<input type="checkbox"/>			
• Right and left side handrails	PNC 206240	<input type="checkbox"/>			
• 2 supports with side runners for 4 GN 1/1 containers for open base cupboards (multifunctional cookers, solid top and gas ranges with cupboard) (only for 372218)	PNC 206244	<input type="checkbox"/>			
• Flue condenser for 1 module, 150 mm diameter	PNC 206246	<input type="checkbox"/>			
• Pair of side kicking strips	PNC 206249	<input type="checkbox"/>			
• Electric heating kit for cupboards (only for 372218)	PNC 206259	<input type="checkbox"/>			
• Single burner smooth plate for direct cooking - fits frontal burners only (only for 372218)	PNC 206260	<input type="checkbox"/>			
• Single burner ribbed plate for direct cooking- fits frontal burners only (only for 372218)	PNC 206261	<input type="checkbox"/>			
• Single burner radiant plate for pan support (only for 372218)	PNC 206264	<input type="checkbox"/>			
• Pair of side kicking strips (concrete installation)	PNC 206265	<input type="checkbox"/>			
• Grid kit for EVO700 ovens - Aus	PNC 206282	<input type="checkbox"/>			
• Water column with swivel arm (water column extension not included)	PNC 206289	<input type="checkbox"/>			
• Water column extension	PNC 206291	<input type="checkbox"/>			
• Stainless steel grid for 2 burners (only for 372218)	PNC 206297	<input type="checkbox"/>			
• Chimney upstand, 800 mm (only for 372217)	PNC 206304	<input type="checkbox"/>			
• Chimney upstand, 1200 mm (only for 372218)	PNC 206306	<input type="checkbox"/>			
• 2 side covering panels, height 700 mm, depth 700 mm	PNC 206319	<input type="checkbox"/>			
• Door for open base cupboard (only for 372218)	PNC 206342	<input type="checkbox"/>			
• 2 drawers for open base, height 100 mm (only for 372218)	PNC 206360	<input type="checkbox"/>			
• Wok pan support for open burners (EVO700/900)	PNC 206363	<input type="checkbox"/>			
• Base support for feet or wheels - 800mm (EVO700/900) (only for 372217)	PNC 206367	<input type="checkbox"/>			
• Base support for feet or wheels - 1200mm (EVO700/EVO900)	PNC 206368	<input type="checkbox"/>			
• Base support for feet or wheels - 1600mm (EVO700/900)	PNC 206369	<input type="checkbox"/>			
• Rear paneling - 800mm (EVO700/900) (only for 372217)	PNC 206374	<input type="checkbox"/>			

Front

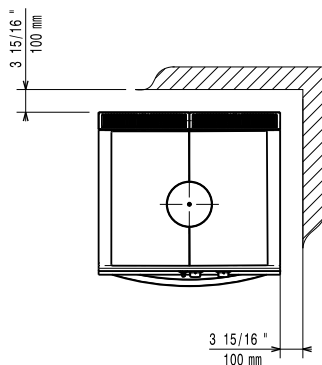


Side



EQ = Equipotential screw
G = Gas connection

Top



Gas

Gas Power:

372217 (Z7STGH10GA)	13 kW
372218 (Z7STGL301A)	24 kW

Gas Type Option:

LPG

Gas Inlet:

1/2"

Natural gas - Pressure:

372217 (Z7STGH10GA)	7" w.c. (17.4 mbar)
---------------------	---------------------

LPG Gas Pressure:

372217 (Z7STGH10GA)	11" w.c. (27.7 mbar)
---------------------	----------------------

Key Information:

Solid top usable surface (width):	690 mm
Solid top usable surface (depth):	595 mm
Oven working Temperature:	110 °C MIN; 270 °C MAX
Oven Cavity Dimensions (width):	540 mm
Oven Cavity Dimensions (height):	300 mm
Oven Cavity Dimensions (depth):	650 mm

Net weight:

372217 (Z7STGH10GA)	95 kg
372218 (Z7STGL301A)	140 kg

Shipping weight:

372217 (Z7STGH10GA)	118 kg
372218 (Z7STGL301A)	160 kg

Shipping height:

1140 mm

Shipping width:

372217 (Z7STGH10GA)	900 mm
372218 (Z7STGL301A)	1300 mm

Shipping depth:

820 mm

Shipping volume:

372217 (Z7STGH10GA)	0.84 m ³
372218 (Z7STGL301A)	1.22 m ³

If appliance is set up or next to or against temperature sensitive furniture or similar, a safety gap of approximately 150 mm should be maintained or some form of heat insulation fitted.

[NOT TRANSLATED]

N7TG