

## Modular Cooking Range Line EVO700 Full Module Freestanding Gas Grill

ITEM # \_\_\_\_\_

MODEL # \_\_\_\_\_

NAME # \_\_\_\_\_

SIS # \_\_\_\_\_

AIA # \_\_\_\_\_



372281 (Z7JJASBAMEA)

Gas grill, full module - free standing (AGA) - Australia

### Short Form Specification

**Item No.** \_\_\_\_\_

To be installed on height adjustable feet in stainless steel. High efficiency 16 kW stainless steel gas burners with flame failure device, protected by deflection trays. Suitable for natural gas or LPG. Cooking surface grids in enameled cast iron, easily removable for cleaning. Exterior panels in stainless steel with Scotch Brite finish. One piece pressed work top in 1.5 mm thick stainless steel. Right-angled side edges to allow flush-fitting junction between units.

### Main Features

- Stainless steel burners with flame failure device.
- Burners are protected by deflection trays to prevent fat dripping on them.
- Stainless steel high splash guard on the rear and sides can be easily removed for cleaning and is dishwasher-safe.
- Open base compartment for storage of pots, pans, sheet pans, etc.
- Unit delivered with four 50 mm legs in stainless steel as standard (all round Stainless steel kick plates as option).
- Scraper for cleaning of grilling grids included.
- The low temperature of the external panels allow to work in safety.

### Construction

- All exterior panels in Stainless Steel with Scotch Brite finishing.
- One piece pressed 1.5 mm work top in Stainless steel.
- Model has right-angled side edges to allow flush fitting joints between units, eliminating gaps and possible dirt traps.
- IPX4 water resistance certification.

APPROVAL: \_\_\_\_\_

### Included Accessories

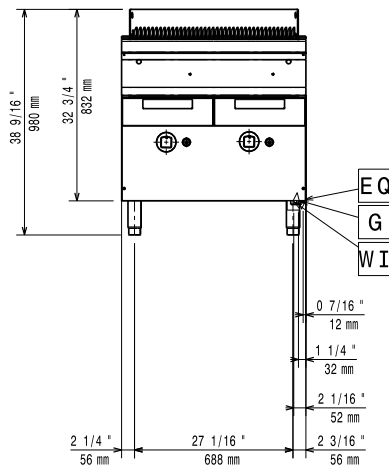
- 1 of Scraper for cast iron grills PNC 206422

### Optional Accessories

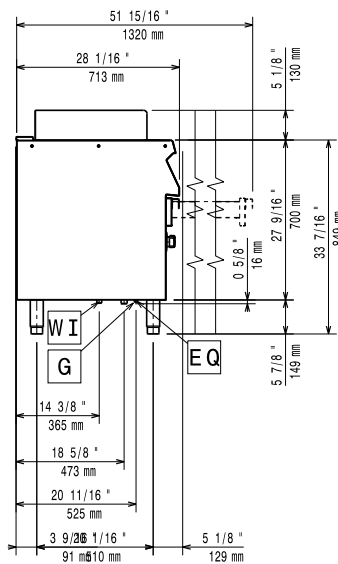
- Junction sealing kit PNC 206086
- Draught diverter, 150 mm diameter PNC 206132
- Matching ring for flue condenser, 150 mm diameter PNC 206133
- 4 wheels, 2 swivelling with brake (EVO700/900). It is mandatory to install with base supports for feet/wheels. PNC 206135
- Flanged feet kit PNC 206136
- Frontal kicking strip for concrete installation, 800 mm PNC 206148
- Frontal kicking strip for concrete installation, 1000 mm PNC 206150
- Frontal kicking strip for concrete installation, 1200 mm PNC 206151
- Frontal kicking strip for concrete installation, 1600 mm PNC 206152
- Frontal handrail 800 mm PNC 206167
- Frontal kicking strip, 800 mm PNC 206176
- Frontal kicking strip, 1000 mm PNC 206177
- Frontal kicking strip, 1200 mm PNC 206178
- Frontal kicking strip, 1600 mm PNC 206179
- Large handrail (portioning shelf) 800 mm PNC 206186
- Frontal handrail 1200 mm PNC 206191
- Frontal handrail 1600 mm PNC 206192
- 4 feet for concrete installation (not for 900 line freestanding grill) PNC 206210
- Right and left side handrails PNC 206240
- Central support for installation of drawers and grid supports for open base cupboards PNC 206245
- Flue condenser for 1 module, 150 mm diameter PNC 206246
- Pair of side kicking strips PNC 206249
- Pair of side kicking strips (concrete installation) PNC 206265
- Water filling tap for 800 mm free standing grills PNC 206281
- Chimney upstand, 800 mm PNC 206304
- 2 side covering panels, height 700 mm, depth 700 mm PNC 206319
- Base support for feet or wheels - 800mm (EVO700/900) PNC 206367
- Base support for feet or wheels - 1200mm (EVO700/EVO900) PNC 206368
- Base support for feet or wheels - 1600mm (EVO700/900) PNC 206369
- Rear paneling - 800mm (EVO700/900) PNC 206374
- Rear paneling - 1000mm (EVO700/900) PNC 206375
- Rear paneling - 1200mm (EVO700/900) PNC 206376

- Kit town gas nozzles (G150) for EVO700 grill PNC 206389
- Stainless steel grid for free standing grills (EVO700) PNC 206410
- Stainless steel grid for free standing V-shaped grills (EVO700) PNC 206411
- Scraper for grids with drainage channels - top grills PNC 206421
- Scraper for cast iron grills PNC 206422
- Pressure regulator for gas units PNC 927225

**Front**

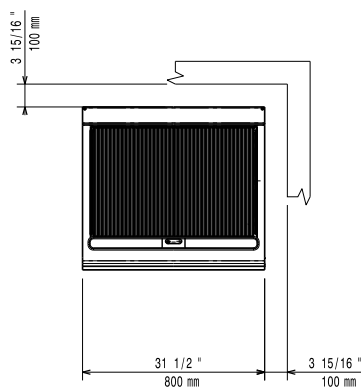


**Side**



**EQ** = Equipotential screw  
**G** = Gas connection

**Top**



**Gas**

|                               |             |
|-------------------------------|-------------|
| <b>Gas Power:</b>             |             |
| 372281 (Z7JJASBAMEA)          | 16 kW       |
| <b>Standard gas delivery:</b> | Natural Gas |
| <b>Gas Type Option:</b>       | LPG;Town    |
| <b>Gas Inlet:</b>             | 3/4"        |

**Key Information:**

|                               |                     |
|-------------------------------|---------------------|
| <b>Cooking surface width:</b> | 631 mm              |
| <b>Cooking surface depth:</b> | 478 mm              |
| <b>Net weight:</b>            | 75 kg               |
| <b>Shipping weight:</b>       | 95 kg               |
| <b>Shipping height:</b>       | 1180 mm             |
| <b>Shipping width:</b>        | 820 mm              |
| <b>Shipping depth:</b>        | 860 mm              |
| <b>Shipping volume:</b>       | 0.83 m <sup>3</sup> |

If appliance is set up or next to or against temperature sensitive furniture or similar, a safety gap of approximately 150 mm should be maintained or some form of heat insulation fitted.

**[NOT TRANSLATED]** N7GG