

**Modular Cooking Range Line
EVO900 1200mm Gas Fry Top HP,
Smooth and Ribbed scratch
resistant chromium Plate**

ITEM # _____

MODEL # _____

NAME # _____

SIS # _____

AIA # _____

**392407 (Z9IIMAAOMIA)**

Large gas fry top with 2/3 smooth and 1/3 ribbed scratch resistant chromium cooking plate, horizontal, thermostatic control, scraper included - HP (availability from Q2 2020)

Short Form Specification**Item No.** _____

Smooth scratch resistant chromium cooking surface. 33 kW gas powered burners with thermostatic valve and self stabilizing flame. Temperature range up to 270°C. To be installed on open base installations, bridging supports or cantilever systems. Removable drawers below the cooking surface for the collection of grease and fat. Body and work top of unit entirely in stainless steel with Scotch Brite finish. Extra strength work top in heavy duty 2 mm stainless steel. Right-angled side edges to allow flush-fitting junction between units.

Main Features

- Units have 4 independent controls to regulate temperature of the cooking surface.
- Easy to clean and corrosion resistant chromium surface.
- Unit to be mounted on open base cupboards, bridging supports or cantilever systems.
- Two large drain holes on cooking surface permits the draining of fat into two separate 3 liter collectors placed under the cooking surface.
- Stainless steel high splash guards on the rear and sides of cooking surface.
- Piezo spark ignition with thermostatic valve for added safety.
- The special design of the control knob system guarantees against water infiltration.
- IPX5 water protection.
- Scratch resistant cooking surface thanks to a special treatment of the chromium plate.
- Temperature range from 90° up to 270°C.
- Suitable for countertop installation.

Construction

- Unit is 930 mm deep to give a larger working surface area.
- All exterior panels in Stainless Steel with Scotch Brite finishing.
- AISI 304 stainless steel worktop, 2mm thick.
- Model has right-angled side edges to allow flush fitting joints between units, eliminating gaps and possible dirt traps.
- Non-scratch cooking surface 20mm thick for optimum grilling results and ease of use.
- Cooking surface to be 2/3 smooth and 1/3 ribbed.

Included Accessories

- 1 of Scraper for smooth plate for fry tops PNC 164255
- 1 of Scraper for ribbed plate fry tops - kit includes knife blades for both smooth and ribbed surface PNC 206420

Optional Accessories

- Scraper for smooth plate for fry tops PNC 164255
- Junction sealing kit PNC 206086
- Support for bridge type installation, 1200 mm PNC 206139
- Support for bridge type installation, 1400 mm PNC 206140
- Support for bridge type installation, 1600 mm PNC 206141
- Frontal kicking strip, 1200 mm PNC 206178
- Water drain for fry tops HP PNC 206345
- Grease/oil container kit for frytops PNC 206346
- Scraper for ribbed plate fry tops - kit includes knife blades for both smooth and ribbed surface PNC 206420

APPROVAL: _____



**Modular Cooking Range Line
EVO900 1200mm Gas Fry Top HP, Smooth
and Ribbed scratch resistant chromium
Plate**

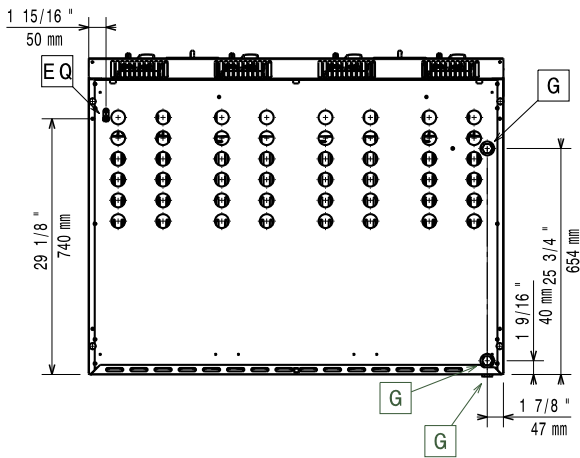
- - NOT TRANSLATED - PNC 206455
- Pressure regulator for gas units PNC 927225



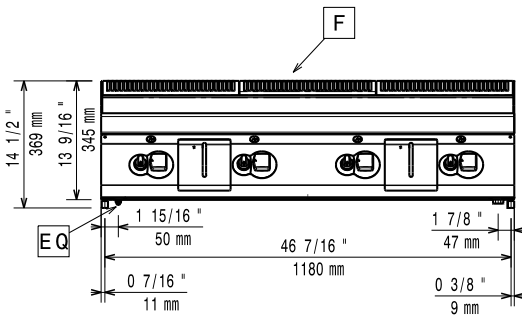
**Modular Cooking Range Line
EVO900 1200mm Gas Fry Top HP, Smooth and Ribbed scratch resistant
chromium Plate**
The company reserves the right to make modifications to the products
without prior notice. All information correct at time of printing.

2024.09.13

Top

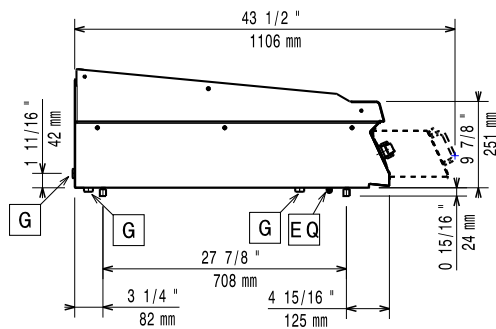


Front



EQ = Equipotential screw
G = Gas connection

Side



Gas

| | | |
|-------------------------------|-----------------------------|--------------------------|
| Gas Power: | 392407 (Z9IIMAAOMIA) | 33 kW |
| Standard gas delivery: | | Natural Gas G20 (20mbar) |
| Gas Type Option: | | LPG; Natural Gas |
| Gas Inlet: | | 1/2" |

Key Information:

| | |
|-------------------------------------|---------------------|
| Cooking surface width: | 1194 mm |
| Cooking surface depth: | 610 mm |
| Working Temperature MIN: | 90 °C |
| Working Temperature MAX: | 270 °C |
| External dimensions, Width: | 1200 mm |
| External dimensions, Depth: | 930 mm |
| External dimensions, Height: | 250 mm |
| Net weight: | 150 kg |
| Shipping weight: | 200 kg |
| Shipping height: | 600 mm |
| Shipping width: | 1040 mm |
| Shipping depth: | 1300 mm |
| Shipping volume: | 0.81 m ³ |

If appliance is set up or next to or against temperature sensitive furniture or similar, a safety gap of approximately 150 mm should be maintained or some form of heat insulation fitted.