

**Modular Cooking Range Line  
EVO900 6 Drawer Refrigerated  
Base (R290)**

ITEM # \_\_\_\_\_

MODEL # \_\_\_\_\_

NAME # \_\_\_\_\_

SIS # \_\_\_\_\_

AIA # \_\_\_\_\_



392600 (Z9TTBECOMKN) Refrigerated base with 6 drawers, -2/+10 C - R290

**Short Form Specification**

Item No. \_\_\_\_\_

Refrigerated base with 6 drawers. Built-in refrigerator compressor unit. Can operate over the temperature range of -2°C to 10 °C. Exterior panels in stainless steel. To be installed below other EVO900 top units. Delivered with 50 mm height adjustable feet.

**Main Features**

- Adjustable temperature range from -2 °C to +10 °C to suit meat, fish and dairy storage requirements.
- Anti-tilt runners accept GN 1/1 containers.
- Forced air circulation for rapid cooling and an even temperature distribution.
- Right angled side edges eliminate gaps and possible dirt traps between units.
- Unit can be easily installed below other 900 line top models.
- Defrosting and automatic evaporation of condense drain: the condense is automatically evaporated thanks to the electric resistance in the condense drain container.
- GN compliant.
- Designed for modular installation into the cooking block.

**Construction**

- Access to all components from the front.
- Built-in compressor to suit operating conditions.
- Exterior panels in Stainless steel with Scotch Brite finish to meet the highest hygiene standards.
- Unit delivered with 150 mm height adjustable feet in Stainless steel. Feet can be extended up to 250 mm.

**Sustainability**

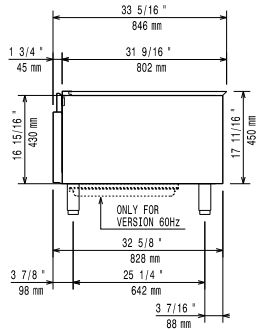
- CFC and HCFC free (highly ecological refrigerant type: R290).

**Optional Accessories**

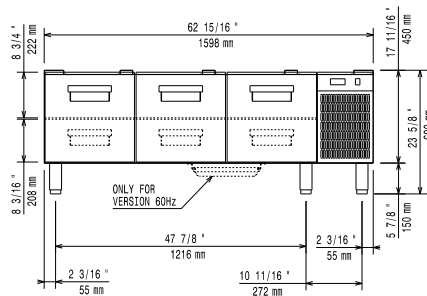
- Flanged feet kit PNC 206136
- Frontal kicking strip for concrete installation, 1600 mm PNC 206152
- Frontal kicking strip, 1600 mm PNC 206179
- Kit 3 base support for wheels PNC 206430
- Kit 6 wheels - 3 swivelling with brake PNC 206432

APPROVAL: \_\_\_\_\_

**Front**

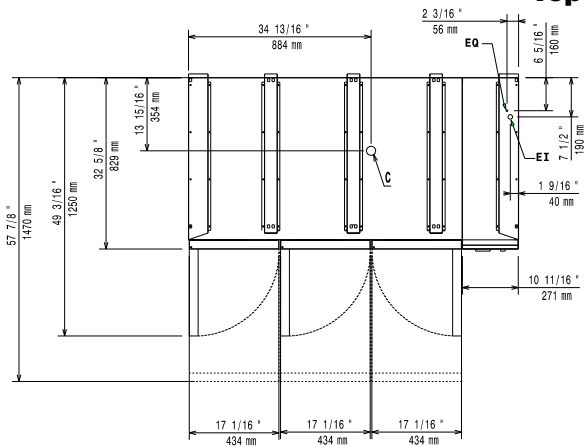


**Side**



EI = Electrical inlet (power)

**Top**



**Electric**

|                             |                       |
|-----------------------------|-----------------------|
| Supply voltage:             |                       |
| <b>392600 (Z9TTBECOMKN)</b> | 220-230 V/1N ph/50 Hz |
| Electrical power max.:      | 0.44 kW               |
| Total Watts:                | 0.44 kW               |

**Key Information:**

|                              |                     |
|------------------------------|---------------------|
| Gross capacity:              | 240 lt              |
| External dimensions, Width:  | 1600 mm             |
| External dimensions, Depth:  | 830 mm              |
| External dimensions, Height: | 600 mm              |
| Net weight:                  | 110 kg              |
| Shipping weight:             | 172 kg              |
| Shipping height:             | 840 mm              |
| Shipping width:              | 1070 mm             |
| Shipping depth:              | 1700 mm             |
| Shipping volume:             | 1.53 m <sup>3</sup> |

**Sustainability**

|                     |      |
|---------------------|------|
| Refrigerant type:   | R290 |
| Refrigerant weight: | 85 g |