

## Modular Cooking Range Line EVO900 2-Hot Plates Electric Boiling Top

ITEM # \_\_\_\_\_

MODEL # \_\_\_\_\_

NAME # \_\_\_\_\_

SIS # \_\_\_\_\_

AIA # \_\_\_\_\_

**392039 (Z9ECED2Q00)**

2-hot square plates (4 kW each) electric boiling top - 400V

**392165 (Z9ECED2Q0N)**

2-hot square plates (4 kW each) electric boiling top - 230V

### Short Form Specification

Item No. \_\_\_\_\_

To be installed on open base installations, bridging supports or cantilever systems. Two 4 kW square cast-iron hot plates hermetically sealed to the one-piece top. Exterior panels of unit in stainless steel with Scotch Brite finish. Extra strength work top in heavy duty 2 mm stainless steel. Right-angled side edges to allow flush-fitting junction between units.

### Main Features

- Unit to be mounted on open base cupboards, bridging supports or cantilever systems.
- The two 4kW cast-iron plates are hermetically sealed to the one-piece top. Hot plates with a power of 4kW for each plate.
- The special design of the control knob system guarantees against water infiltration.
- IPX5 water protection.
- Top configuration allows installation on ambient base only (not possible to install on refrigerated nor freezer base).
- Suitable for countertop installation.

### Construction

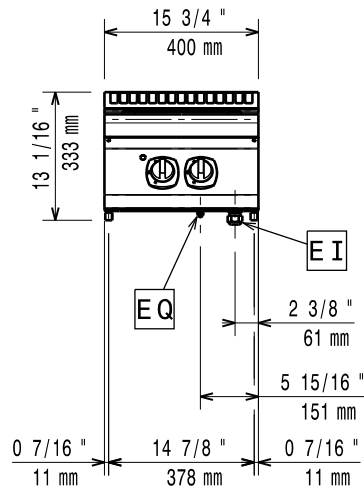
- All exterior panels in Stainless Steel with Scotch Brite finishing.
- AISI 304 stainless steel worktop, 2mm thick.
- Model has right-angled side edges to allow flush fitting joints between units, eliminating gaps and possible dirt traps.
- Unit is 900mm deep to give a larger working surface area.

APPROVAL: \_\_\_\_\_

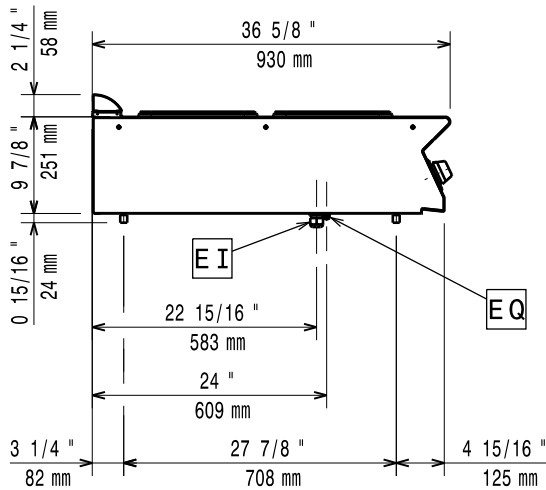
**Optional Accessories**

- 2 cast iron plate bars for electric cooking top PNC 206056
- Junction sealing kit PNC 206086
- Support for bridge type installation, 800 mm PNC 206137
- Support for bridge type installation, 1000 mm PNC 206138
- Support for bridge type installation, 1200 mm PNC 206139
- Support for bridge type installation, 1400 mm PNC 206140
- Support for bridge type installation, 1600 mm PNC 206141
- Support for bridge type installation, 400 mm PNC 206154
- Side handrail for right/left hand PNC 206165
- Frontal handrail 400 mm PNC 206166
- Frontal handrail 800 mm PNC 206167
- Large handrail (portioning shelf) 400 mm PNC 206185
- Large handrail (portioning shelf) 800 mm PNC 206186
- Frontal handrail 1200 mm PNC 206191
- Frontal handrail 1600 mm PNC 206192
- Water column with swivel arm (water column extension not included) PNC 206289
- Water column extension PNC 206290
- Chimney upstand, 400 mm PNC 206303
- 2 side covering panels, height 250 mm, depth 900 mm PNC 206321
- Chimney grid net, 400mm PNC 206400

**Front**

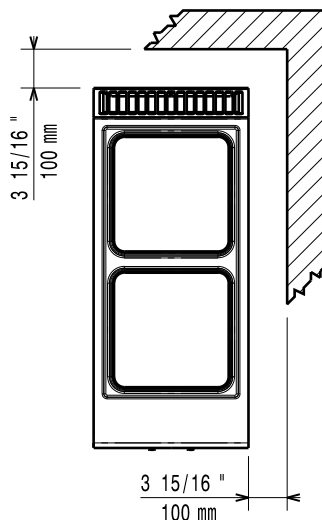


**Side**



EI = Electrical inlet (power)  
EQ = Equipotential screw

**Top**



**Electric**

**Supply voltage:**

392039 (Z9ECED2Q00)	380-400 V/3N ph/50/60 Hz
392165 (Z9ECED2Q0N)	230 V/3 ph/50/60 Hz

**Total Watts:**

8 kW

**Key Information:**

**Front Plates Power:** 4 - 0 kW

**Back Plates Power:** 4 - kW

**Front Plates dimensions:** 300x300

**Back Plates dimensions:** 300x300

**Net weight:** 35 kg

**Shipping weight:**

392039 (Z9ECED2Q00)	42 kg
392165 (Z9ECED2Q0N)	45 kg

**Shipping height:**

392039 (Z9ECED2Q00)	520 mm
392165 (Z9ECED2Q0N)	540 mm

**Shipping width:**

460 mm

**Shipping depth:**

1020 mm

**Shipping volume:**

392039 (Z9ECED2Q00)	0.24 m <sup>3</sup>
392165 (Z9ECED2Q0N)	0.25 m <sup>3</sup>

**[NOT TRANSLATED]**

392039 (Z9ECED2Q00) EH92T

392165 (Z9ECED2Q0N) N9CE1

If appliance is set up or next to or against temperature sensitive furniture or similar, a safety gap of approximately 150 mm should be maintained or some form of heat insulation fitted.