

Modular Cooking Range Line EVO900 4-Burner Gas Range 10kW on Gas Oven

ITEM # _____

MODEL # _____

NAME # _____

SIS # _____

AIA # _____



392260 (Z9GCGHTCGB)

4-burner (10 kW each) gas
range on gas oven (8,5 kW) -
(AGA)

Short Form Specification

Item No.

To be installed on stainless steel feet with height adjustment up to 50 mm. High efficiency flower flame burners with continuous power regulation and optimized combustion. Flame failure device as standard on burners to protect against accidental extinguishing. Oven chamber with 3 levels of runners to accommodate 2/1 GN shelves (2 steam pans). Ribbed, cast-iron oven base plate. Exterior panels of unit in stainless steel with Scotch Brite finish. Pan supports in heavy duty stainless steel. Extra strength work top in heavy duty 2 mm stainless steel. Right-angled side edges to allow flush-fitting junction between units.

Main Features

- Gas appliance supplied for use with natural or LPG gas, conversion jets supplied as standard.
- Large sized pan support in cast iron (stainless steel as option) with long center fins to allow the use of the largest down to the smallest pans.
- Flame failure device on each burner protects against gas leakage when accidental extinguishing of the flame occurs.
- Protected pilot light.
- Burners to feature flame regulator.
- Double skinned door with pressed internal panel for heat insulation.
- IPX 4 water protection.
- Oven thermostat adjustable from 140 °C to 300 °C.
- Ribbed oven base plate.
- Unit to have stainless steel feet with height adjustment up to 50 mm.
- Pan supports in cast iron are washable in a dishwasher.
- Base compartment consists of an electric standard oven positioned beneath the base plate. Stainless steel oven chamber to have 3 levels of runners to accommodate 2/1 GN shelves (2 steam pans) and ribbed enamelled steel base plate.
- The four 5.5 kW high efficiency flower flame burners allow the flame to adapt to different size pans.
- Control knobs provide smooth, continuous rotation from min to max power level.

Construction

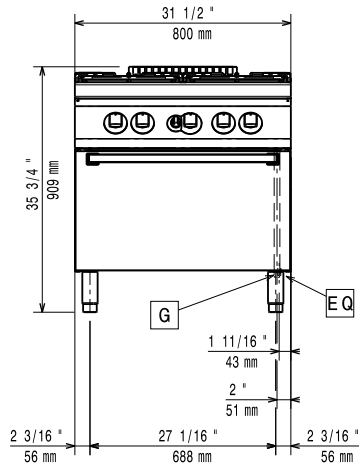
- All exterior panels in Stainless Steel with Scotch Brite finishing.
- Model has right-angled side edges to allow flush fitting joints between units, eliminating gaps and possible dirt traps.
- One piece pressed 1.5 mm work top in Stainless steel.
- Pan supports in stainless steel.

APPROVAL: _____

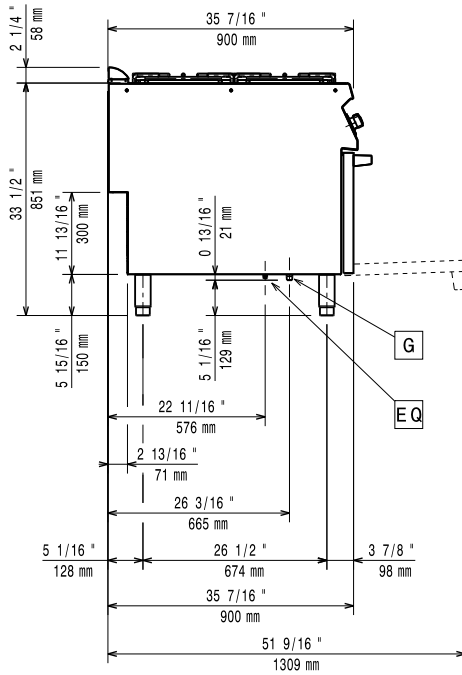
Optional Accessories

• GN2/1 chrome grid for static oven	PNC 164250	<input type="checkbox"/>	• Base support for feet or wheels - 2000mm (EVO700/900)	PNC 206370	<input type="checkbox"/>
• Junction sealing kit	PNC 206086	<input type="checkbox"/>	• Rear paneling - 800mm (EVO700/900)	PNC 206374	<input type="checkbox"/>
• Draught diverter, 150 mm diameter	PNC 206132	<input type="checkbox"/>	• Rear paneling - 1000mm (EVO700/900)	PNC 206375	<input type="checkbox"/>
• Matching ring for flue condenser, 150 mm diameter	PNC 206133	<input type="checkbox"/>	• Rear paneling - 1200mm (EVO700/900)	PNC 206376	<input type="checkbox"/>
• 4 wheels, 2 swivelling with brake (EVO700/900). It is mandatory to install with base supports for feet/wheels.	PNC 206135	<input type="checkbox"/>	• Kit town gas nozzles (G150) for EVO900 gas ranges on gas oven	PNC 206385	<input type="checkbox"/>
• Flanged feet kit	PNC 206136	<input type="checkbox"/>	• Chimney grid net, 400mm	PNC 206400	<input type="checkbox"/>
• Frontal kicking strip for concrete installation, 800 mm	PNC 206148	<input type="checkbox"/>	• Pressure regulator for gas units	PNC 927225	<input type="checkbox"/>
• Frontal kicking strip for concrete installation, 1000 mm	PNC 206150	<input type="checkbox"/>			
• Frontal kicking strip for concrete installation, 1200 mm	PNC 206151	<input type="checkbox"/>			
• Frontal kicking strip for concrete installation, 1600 mm	PNC 206152	<input type="checkbox"/>			
• 2 SIDE KICKING STRIPS-CONCRETE INST-900	PNC 206157	<input type="checkbox"/>			
• Side handrail for right/left hand	PNC 206165	<input type="checkbox"/>			
• Frontal handrail 800 mm	PNC 206167	<input type="checkbox"/>			
• Single burner smooth plate for direct cooking - fits frontal burners only	PNC 206171	<input type="checkbox"/>			
• Single burner ribbed plate for direct cooking - fits frontal burners only	PNC 206172	<input type="checkbox"/>			
• Frontal kicking strip, 800 mm	PNC 206176	<input type="checkbox"/>			
• Frontal kicking strip, 1000 mm	PNC 206177	<input type="checkbox"/>			
• Frontal kicking strip, 1200 mm	PNC 206178	<input type="checkbox"/>			
• Frontal kicking strip, 1600 mm	PNC 206179	<input type="checkbox"/>			
• Pair of side kicking strips	PNC 206180	<input type="checkbox"/>			
• 2 panels for service duct (single installation)	PNC 206181	<input type="checkbox"/>			
• Large handrail (portioning shelf) 800 mm	PNC 206186	<input type="checkbox"/>			
• Frontal handrail 1200 mm	PNC 206191	<input type="checkbox"/>			
• Frontal handrail 1600 mm	PNC 206192	<input type="checkbox"/>			
• 2 panels for service duct (back to back installation)	PNC 206202	<input type="checkbox"/>			
• PAIR OF CAST IRON GRIDS	PNC 206208	<input type="checkbox"/>			
• 4 feet for concrete installation (not for 900 line freestanding grill)	PNC 206210	<input type="checkbox"/>			
• Flue condenser for 1 module, 150 mm diameter	PNC 206246	<input type="checkbox"/>			
• Water column with swivel arm (water column extension not included)	PNC 206289	<input type="checkbox"/>			
• Water column extension	PNC 206290	<input type="checkbox"/>			
• Stainless steel grid for 2 burners	PNC 206298	<input type="checkbox"/>			
• Chimney upstand, 800 mm	PNC 206304	<input type="checkbox"/>			
• 2 side covering panels, height 700 mm, depth 900 mm	PNC 206335	<input type="checkbox"/>			
• Wok pan support for open burners (EVO700/900)	PNC 206363	<input type="checkbox"/>			
• Base support for feet or wheels - 800mm (EVO700/900)	PNC 206367	<input type="checkbox"/>			
• Base support for feet or wheels - 1200mm (EVO700/EVO900)	PNC 206368	<input type="checkbox"/>			
• Base support for feet or wheels - 1600mm (EVO700/900)	PNC 206369	<input type="checkbox"/>			

Front

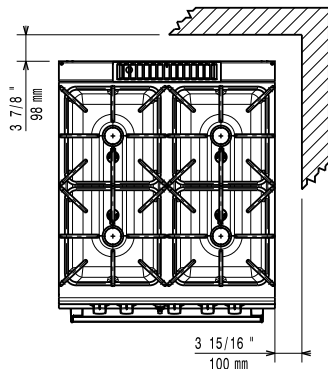


Side



G = Gas connection

Top



Gas

Natural gas - Pressure:	
392260 (Z9GCGHTCGB)	7" w.c. (17.4 mbar)
Gas Power:	48.5 kW
Standard gas delivery:	Natural Gas
Gas Type Option:	LPG; Natural Gas
Gas Inlet:	1/2"

Key Information:

If appliance is set up or next to or against temperature sensitive furniture or similar, a safety gap of approximately 150 mm should be maintained or some form of heat insulation fitted.

Oven working Temperature:	120 °C MIN; 280 °C MAX
Oven Cavity Dimensions (width):	575 mm
Oven Cavity Dimensions (height):	300 mm
Oven Cavity Dimensions (depth):	700 mm
Net weight:	155 kg
Shipping weight:	121 kg
Shipping height:	1090 mm
Shipping width:	1020 mm
Shipping depth:	900 mm
Shipping volume:	1 m ³
Front Burners Power:	10 - 10 kW
Back Burners Power:	10 - 10 kW
[NOT TRANSLATED]	N9CG
Back Burners Dimension - mm	Ø 100 Ø 100
Front Burners Dimension - mm	Ø 100 Ø 100