

Warewashing Z-Active 100 S Small Single Skin Glasswasher, rinse aid and detergent pump, tank filter 40r/h

ITEM # _____

MODEL # _____

NAME # _____

SIS # _____

AIA # _____



402191 (ZTGWSG1S)

Undercounter glasswasher (S), 400x400mm rack, electronic, single skin with pressure boiler, rinse aid+ detergent pumps, drain pump, tank filters, 40 r/h, 1 phase, Schuko plug

Short Form Specification

Item No.

Undercounter glasswasher small, hot water sanitization type, suitable for up to 400*400mm racks.

Single skin cabinet. Double skin insulated, counter-balance door. Pressed wash tank with round corners. 304 AISI stainless steel construction to include door, external panels, frame, wash tank, tank filters, wash arms and rinse arms.

Electronic control with temperature display, to allow on-site customization. Four cycles of 90, 120, 180 and 540 sec. to wash different types of soiled wares. Automatic self-cleaning and draining cycle on board.

Washing performance is ensure by a powerful wash pump, large capacity wash tank, upper and lower revolving spray arms.

Rinse temperature guaranteed by built-in pressure boiler.

The unit shall include wash tank filters in composite material, drain pump and rinse aid dispenser pump.

Electrical characteristics to be 220-240 volts single phase operation. The unit is equipped with electrical cable and schuko plug.

Main Features

- Maximum capacity of 40 racks per hour.
- Suitable to fit 400*400 mm racks.
- Simple operation control panel with digital display, led info lights; and color-coded main button to launch the washing cycles.
- Featured with n°4 washing cycle, 90 / 120 / 180 / 540 seconds, selectable by the display and customizable on site by service; to wash different kind of crockery.
- Built-in pressure boiler designed to raise incoming water to a guaranteed minimum temperature of 82°C for sanitizing rinse. No external boiler is required.
- Washing system endowed with rotating washing arms, high powered wash pump and large capacity wash tank for professional washing.
- Deep drawn pressed wash tank with fully rounded corners, sloped towards the drain to prevent dirt build up provides fast drainage in only a few minutes. Pressed wash tank with no welded points offer a guaranteed water tight solution.
- Equipped with electrical cable fitting schuko plug.
- Easy service access to all the main components from the front of the appliance, to fast on site operation.
- Built-in rinse aid and detergent dispenser with automatic chemicals loading, for perfect result while minimizing service and maintenance needs.
- Equipped with drain pump, to easily adjust the discharge height in case of wall plumbing; avoiding wastewater returns.

Construction

- Structure, panels, cavity and door in stainless steel to long lasting.
- Insulated double skin counter-balance door construction for silent and smooth operation. Counter-balance mechanism minimizes impact when opening and closing.
- Completely closed on the back by a cover plate.
- Upper and lower screwed washing & rinsing arms and tank filters in composite material; are easy removable from the cavity to easy operation.
- Unit to feature rinse aid and detergent dispenser peristaltic pumps.

Sustainability

- Clear water consumption of 2 liter/rack, the water of the rinsing phase is recirculated to enable washing.
- Low noise level of 61 db during operations.
- Eco stand-by energy management function, to reduce power usage on inactive period.

APPROVAL: _____



**Warewashing
Z-Active 100 S Small Single Skin
Glasswasher, rinse aid and detergent
pump, tank filter 40r/h**

Included Accessories

- 1 of Square basket for glasses 400x400x150mm PNC 864470
- 1 of Insert for 12 saucers, 290x90x75mm PNC 867048
- 1 of Square cutlery container, 89x113x113mm PNC 867049

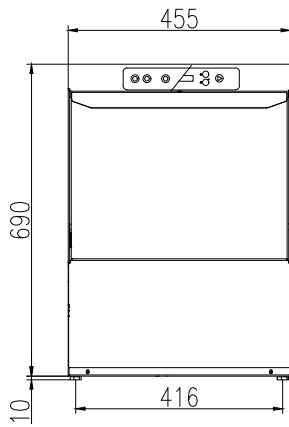
Optional Accessories

- Kit wash tank filters in composite material (1 central support and 2 filters) for single skin Z-Active 100 (S) glasswasher PNC 864496
- Drain pump kit for single skin Z-Active 100 (S) glasswasher PNC 864497
- Square basket for plates, 400x400x110mm PNC 867039
- Inclination insert for glasses, 400x400mm PNC 867044
- Round basket for glasses, 400x180mm PNC 867047
- Inclination insert for glasses 400x400 mm PNC 867069

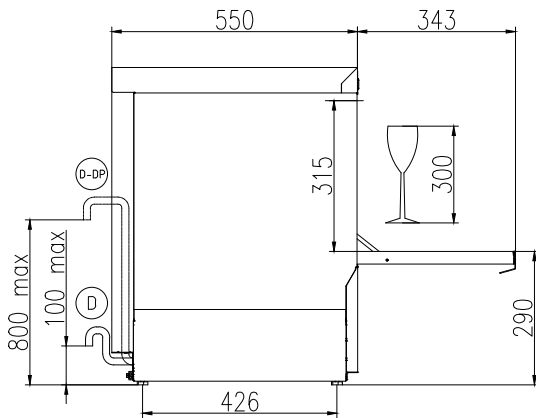


**Warewashing
Z-Active 100 S Small Single Skin Glasswasher, rinse aid and detergent
pump, tank filter 40r/h**
The company reserves the right to make modifications to the products
without prior notice. All information correct at time of printing.

Front

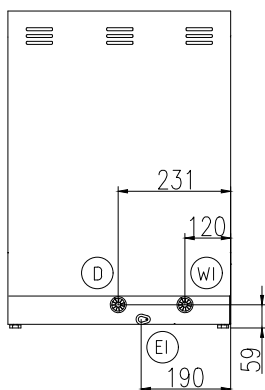


Side



- CW11** = Cold Water inlet 1 (cleaning) **XR** = Rinse aid connection
D = Drain
EI = Electrical inlet (power)
EO = Electrical Outlet
WI = Water inlet
XD = Detergent connection

Rear side



Electric

Supply voltage:	
402191 (ZTGWSG1S)	220-240 V/1 ph/50 Hz
Default Installed Power:	2.7 kW
Boiler heating elements:	2.7 kW
Tank heating elements:	2.4 kW
Wash pump size:	0.2 kW

Water:

Pressure, bar min/max:	2-5 bar
Water supply temperature*:	10-50 °C
Drain line size:	29mm
Washing tank capacity (lt):	12
Water consumption per cycle (lt):	0 / 2
Boiler Capacity (lt):	3
Incoming water line size:	3/4"

Key Information:

Wash temperature:	60°C
Cell dimensions - width:	405 mm
Cell dimensions - depth:	437 mm
Cell dimensions - height:	315 mm
Rinse temperature:	85 °C
External dimensions, Width:	455 mm
External dimensions, Depth:	550 mm
External dimensions, Height:	700 mm
Net weight:	38 kg
Shipping weight:	42 kg
Shipping height:	850 mm
Shipping width:	540 mm
Shipping depth:	630 mm
Shipping volume:	0.29 m ³
Baskets per hour*:	40 / 30 / 20 / 6
Working cycles time (sec.):	90 / 120 / 180 / 108
Dishes per hour:	720 / 540 / 360 / 540

Sustainability

Noise level:	61 dBA
---------------------	--------