

Modular Cooking Range Line EVO700 One Well Electric Fryer Top 7 liter

ITEM # _____

MODEL # _____

NAME # _____

SIS # _____

AIA # _____

**372075 (Z7FRED1B00)**

7-lt electric fryer top with 1 "V" shape well (external heating elements), 1 basket and lid included

372140 (Z7FRED120N)

7-lt electric fryer top with 1 "V" shape well (external heating elements) and 1 basket

Short Form Specification

Item No. _____

To be installed on open base installations, bridging supports or cantilever systems. High efficiency infrared heating elements (5.4kW) attached to the outside of the well. Deep drawn V-shaped well. Oil drains through a tap on the front. Exterior panels in stainless steel with Scotch Brite finish. One piece pressed work top in 1.5 mm thick stainless steel. Right-angled side edges to allow flush-fitting junction between units.

Main Features

- Unit to be mounted on open base cupboards, bridging supports or cantilever systems.
- Deep drawn V-Shaped well.
- High efficiency infrared heating elements (5,4kW) are attached to the outside of the well.
- Thermostatic regulation of oil temperature up to a maximum of 185 °C.
- Overheat protection thermostat as standard on all units.
- Oil drains through a tap positioned on the front the well.
- All major compartments located in front of unit for ease of maintenance.
- IPx4 water protection.
- Optional portable oil quality monitoring tool (code 9B8081) for efficient oil management. (only for 372075)
- Suitable for countertop installation. (only for 372075)

Construction

- Interior of well with rounded corners for ease of cleaning.
- All exterior panels in Stainless Steel with Scotch Brite finishing.
- One piece pressed 1.5 mm work top in Stainless steel.
- Model has right-angled side edges to allow flush fitting joints between units, eliminating gaps and possible dirt traps.

Sustainability

- This model is compliant with Swiss Energy Efficiency Ordinance (730.02). (only for 372075)

APPROVAL: _____

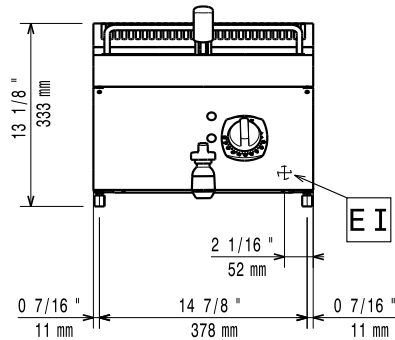
Included Accessories

- 1 of Basket for 7lt top and free standing PNC 921608 fryers

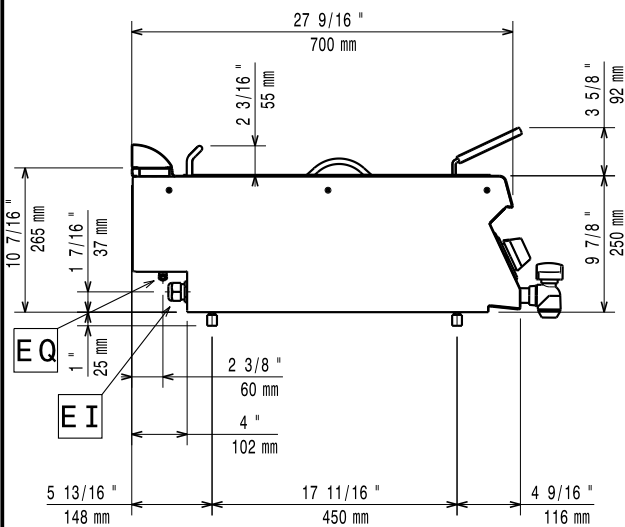
Optional Accessories

- Junction sealing kit (only for 372075) PNC 206086
- Support for bridge type installation, 800 mm PNC 206137
- Support for bridge type installation, 1000 mm PNC 206138
- Support for bridge type installation, 1200 mm PNC 206139
- Support for bridge type installation, 1400 mm PNC 206140
- Support for bridge type installation, 1600 mm PNC 206141
- Support for bridge type installation, 400 mm PNC 206154
- Frontal handrail 400 mm PNC 206166
- Frontal handrail 800 mm PNC 206167
- Large handrail (portioning shelf) 400 mm PNC 206185
- Large handrail (portioning shelf) 800 mm PNC 206186
- Frontal handrail 1200 mm PNC 206191
- Frontal handrail 1600 mm PNC 206192
- Right and left side handrails (only for 372075) PNC 206240
- Chimney upstand, 400 mm PNC 206303
- 2 side covering panels, height 250 mm, depth 700 mm PNC 206320
- Base support for feet or wheels - 400mm (EVO700/900) (only for 372140) PNC 206366
- Chimney grid net, 400mm (only for 372075) PNC 206400
- Basket for 7lt top and free standing fryers PNC 921608
- 2 baskets for 2x5/12lt electric fryers (only for 372140) PNC 960638

Front

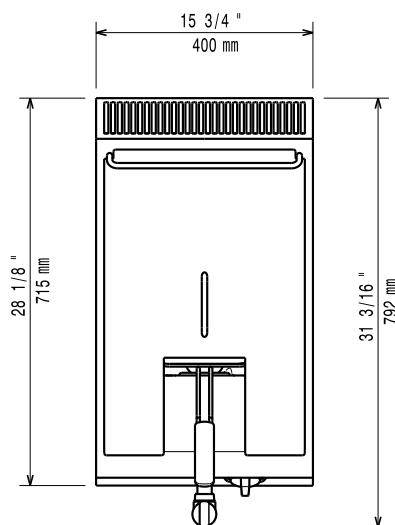


Side



EI = Electrical inlet (power)
EQ = Equipotential screw

Top



Electric

Supply voltage:

372075 (Z7FRED1B00)	380-400 V/3N ph/50/60 Hz
372140 (Z7FRED120N)	230 V/3 ph/50/60 Hz

Total Watts:

5.4 kW

Predisposed for:

372075 (Z7FRED1B00)	380-400V 3N~ 50/60Hz 4,9-5,4kW
----------------------------	-----------------------------------

Key Information:

Usable well dimensions (width):	240 mm
Usable well dimensions (height):	235 mm
Usable well dimensions (depth):	380 mm
Well capacity:	5.5 lt MIN; 7 lt MAX
Thermostat Range:	105 °C MIN; 185 °C MAX
Net weight:	30 kg
Shipping weight:	
372075 (Z7FRED1B00)	29 kg
372140 (Z7FRED120N)	35 kg
Shipping height:	
372075 (Z7FRED1B00)	520 mm
372140 (Z7FRED120N)	540 mm
Shipping width:	
372075 (Z7FRED1B00)	460 mm
372140 (Z7FRED120N)	500 mm
Shipping depth:	820 mm
Shipping volume:	
372075 (Z7FRED1B00)	0.2 m ³
372140 (Z7FRED120N)	0.22 m ³

If appliance is set up or next to or against temperature sensitive furniture or similar, a safety gap of approximately 150 mm should be maintained or some form of heat insulation fitted.

Certification group:

372075 (Z7FRED1B00)	N7FE1
372140 (Z7FRED120N)	N7FE2