

**Modular Cooking Range Line  
EVO700 1/4 Module Ambient  
Worktop with Water Column and  
liter counter**

ITEM # \_\_\_\_\_

MODEL # \_\_\_\_\_

NAME # \_\_\_\_\_

SIS # \_\_\_\_\_

AIA # \_\_\_\_\_



206379 (WTNWTCT7Z)

Ambient worktop with water column and liter counter, 1/4 module (EVO700)

**Short Form Specification**

Item No. \_\_\_\_\_

200 mm wide top unit with mounted water column, fitted with electronic liter-counter. Easy operation, LED display allows to constantly monitor the water output. Unit to be installed on bases, bridging supports or cantilever systems. Equipped with liter-counter. One piece pressed worktop in 1.5 mm thick stainless steel provides a heavy duty work surface under any load.

**Main Features**

- 200 mm wide top unit with mounted water column, fitted with electronic liter-counter.
- Easy operation, LED display allows to constantly monitor the water output.
- Unit features cold water tap.
- Unit to be mounted on open base cupboards, bridging supports or cantilever systems.

**Construction**

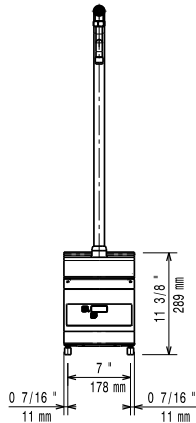
- Stainless steel top provides a heavy duty work surface under any load.
- Model has right-angled side edges to allow flush fitting joints between units, eliminating gaps and possible dirt traps.
- All exterior panels in Stainless Steel with Scotch Brite finishing.

**Optional Accessories**

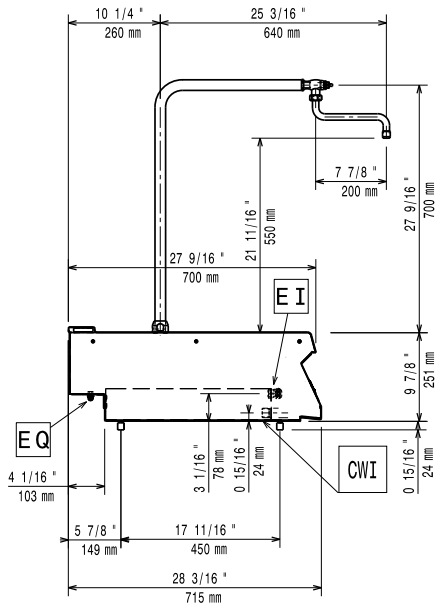
- Support for bridge type installation, 800 mm PNC 206137
- Support for bridge type installation, 1000 mm PNC 206138
- Support for bridge type installation, 1200 mm PNC 206139
- Support for bridge type installation, 1400 mm PNC 206140
- Support for bridge type installation, 1600 mm PNC 206141
- Support for bridge type installation, 400 mm PNC 206154
- Frontal handrail 400 mm PNC 206166
- Frontal handrail 800 mm PNC 206167
- Large handrail (portioning shelf) 400 mm PNC 206185
- Large handrail (portioning shelf) 800 mm PNC 206186
- Frontal handrail 1200 mm PNC 206191
- Frontal handrail 1600 mm PNC 206192
- Right and left side handrails PNC 206240
- Water column with swivel arm (water column extension not included) PNC 206289
- Water column extension PNC 206291
- Chimney upstand, 200 mm PNC 206302
- 2 side covering panels, height 250 mm, depth 700 mm PNC 206320

APPROVAL: \_\_\_\_\_

**Front**

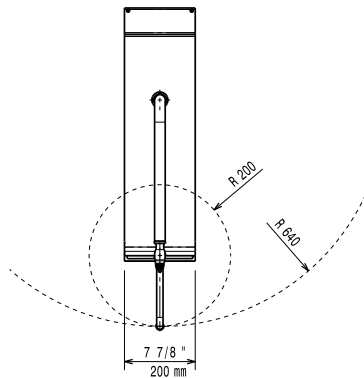


**Side**



**CW11** = Cold Water inlet 1 (cleaning)  
**EI** = Electrical inlet (power)

**Top**



**Water:**

Water cold/hot pipe size 3/4"

**Key Information:**

External dimensions, Width: 200 mm  
External dimensions, Depth: 700 mm  
External dimensions, Height: 250 mm  
Net weight: 6 kg