

## Modular Cooking Range Line EVO700 Full Module Freestanding Electric Char-Grill

ITEM # \_\_\_\_\_

MODEL # \_\_\_\_\_

NAME # \_\_\_\_\_

SIS # \_\_\_\_\_

AIA # \_\_\_\_\_



372242 (Z7GREHGCFU)

Electric grill, half module - free standing

### Short Form Specification

Item No. \_\_\_\_\_

To be installed on height adjustable feet in stainless steel. Heating via incoloy armoured heating elements placed below the cooking plate. Cooking surface grids in enameled cast iron, easily removable for cleaning. Exterior panels in stainless steel with Scotch Brite finish. One piece pressed work top in 1.5 mm thick stainless steel. Right-angled side edges to allow flush-fitting junction between units.

### Main Features

- Each half module is heated via incoloy armoured heating elements below the cooking plate.
- Separate controls for each half module.
- Stainless steel high splash guards on the rear and sides of cooking surface. Splash guards can be easily removed for cleaning and are dishwasher-safe.
- Unit delivered with four 50 mm legs in stainless steel as standard (all round Stainless steel kick plates as option).
- Scraper for cleaning of grilling grids included.
- Energy regulation through a control knob.
- Heating element can be tilted frontally for easy cleaning.
- The low temperature of the external panels allow to work in safety.
- Cooking grids made in highly resistant enameled cast iron for easy cleaning.

### Construction

- All exterior panels in Stainless Steel with Scotch Brite finishing.
- One piece pressed 1.5 mm work top in Stainless steel.
- Model has right-angled side edges to allow flush fitting joints between units, eliminating gaps and possible dirt traps.
- IPx4 water protection.

APPROVAL: \_\_\_\_\_

## Included Accessories

- 1 of Scraper for cast iron grills PNC 206422

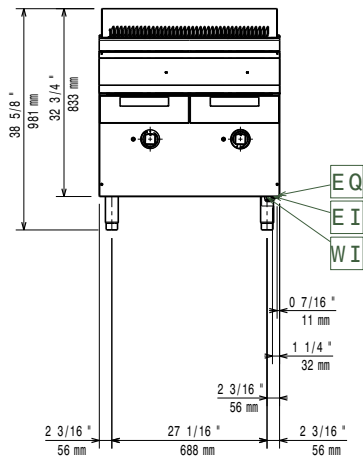
• Scraper for cast iron grills PNC 206422

## Optional Accessories

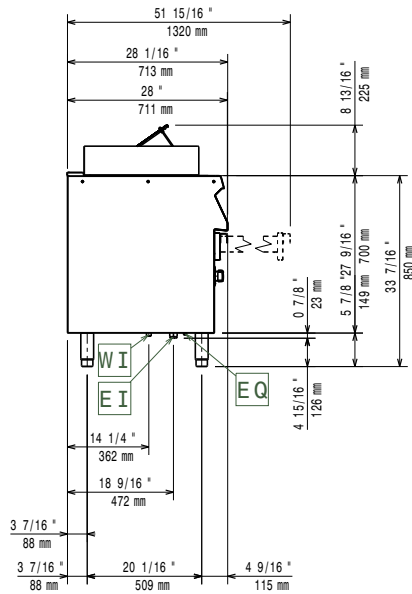
- Junction sealing kit PNC 206086
- 4 wheels, 2 swivelling with brake PNC 206135   
(EVO700/900). It is mandatory to install with base supports for feet/wheels.
- Flanged feet kit PNC 206136
- Frontal kicking strip for concrete installation, 800 mm PNC 206148
- Frontal kicking strip for concrete installation, 1000 mm PNC 206150
- Frontal kicking strip for concrete installation, 1200 mm PNC 206151
- Frontal kicking strip for concrete installation, 1600 mm PNC 206152
- Frontal handrail 800 mm PNC 206167
- Frontal kicking strip, 800 mm PNC 206176
- Frontal kicking strip, 1000 mm PNC 206177
- Frontal kicking strip, 1200 mm PNC 206178
- Frontal kicking strip, 1600 mm PNC 206179
- Large handrail (portioning shelf) 800 mm PNC 206186
- Frontal handrail 1200 mm PNC 206191
- Frontal handrail 1600 mm PNC 206192
- 4 feet for concrete installation (not for 900 line freestanding grill) PNC 206210
- Right and left side handrails PNC 206240
- Central support for installation of drawers and grid supports for open base cupboards PNC 206245
- Pair of side kicking strips PNC 206249
- Pair of side kicking strips (concrete installation) PNC 206265
- Water filling tap for free standing grills PNC 206281
- Chimney upstand, 800 mm PNC 206304
- 2 side covering panels, height 700 mm, depth 700 mm PNC 206319
- Base support for feet or wheels - 800mm (EVO700/900) PNC 206367
- Base support for feet or wheels - 1200mm (EVO700/EVO900) PNC 206368
- Base support for feet or wheels - 1600mm (EVO700/900) PNC 206369
- Rear paneling - 800mm (EVO700/900) PNC 206374
- Rear paneling - 1000mm (EVO700/900) PNC 206375
- Rear paneling - 1200mm (EVO700/900) PNC 206376
- Stainless steel grids for free standing wide grills (EVO700) PNC 206410
- Stainless steel grids with drain shape for free standing wide grills (EVO700) PNC 206411
- Scraper for grids with drainage channels - top grills PNC 206421

# Modular Cooking Range Line EVO700 Full Module Freestanding Electric Char-Grill

**Front**

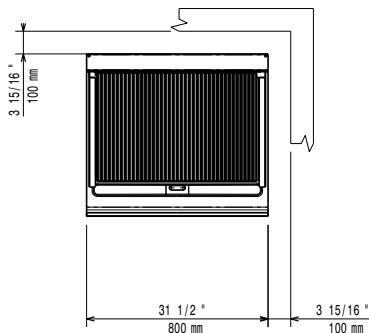


**Side**



EI = Electrical inlet (power)  
EQ = Equipotential screw

**Top**



## Electric

Supply voltage:	372242 (Z7GREHGCFU)	380-400 V/3N ph/50/60 Hz
Electrical power max.:		12 kW
Total Watts:		12 kW
Predisposed for:		380-400V 3N~ 50/60Hz 10,8-12kW

## Key Information:

Cooking surface width:	631 mm
Cooking surface depth:	478 mm
Net weight:	87 kg
Shipping weight:	95 kg
Shipping height:	1180 mm
Shipping width:	800 mm
Shipping depth:	870 mm
Shipping volume:	0.82 m <sup>3</sup>

If appliance is set up or next to or against temperature sensitive furniture or similar, a safety gap of approximately 150 mm should be maintained or some form of heat insulation fitted.

Certification group: N7GE