

Modular Cooking Range Line EVO700 Open Base Cupboard 1 Module

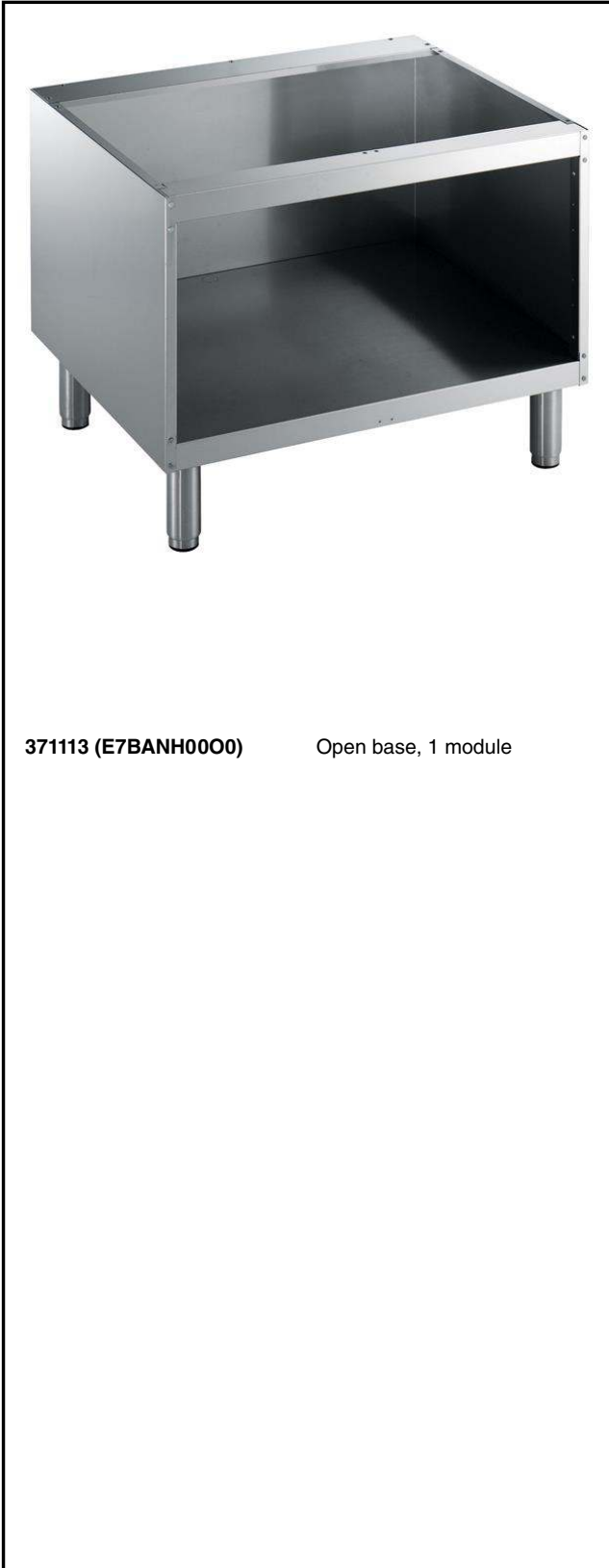
ITEM # _____

MODEL # _____

NAME # _____

SIS # _____

AIA # _____



371113 (E7BANH000)

Open base, 1 module

Main Features

- Unit can be easily installed below other 700 line top models.
- Unit delivered with 50 mm height adjustable feet in Stainless steel.
- Open base compartment for storage of pots, pans, sheet pans, etc.
- Doors with handles, drawers, heating kits and runners for GN containers can be ordered separately.

Construction

- Constructed in Stainless steel with Scotch Brite finish to meet the highest hygiene standards.

APPROVAL: _____

Optional Accessories

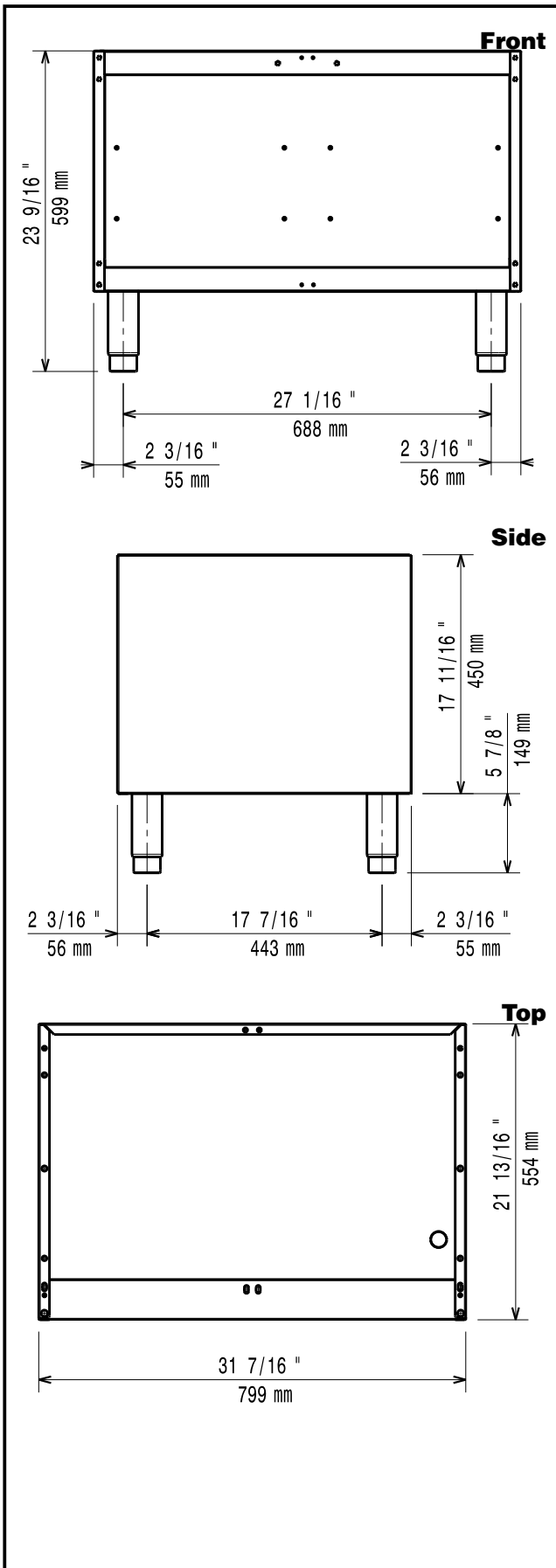
- | | | |
|--|------------|--------------------------|
| • 4 wheels, 2 swivelling with brake (EVO700/900). It is mandatory to install with base supports for feet/wheels. | PNC 206135 | <input type="checkbox"/> |
| • Flanged feet kit | PNC 206136 | <input type="checkbox"/> |
| • Frontal kicking strip for concrete installation, 800 mm | PNC 206148 | <input type="checkbox"/> |
| • Frontal kicking strip for concrete installation, 1000 mm | PNC 206150 | <input type="checkbox"/> |
| • Frontal kicking strip for concrete installation, 1200 mm | PNC 206151 | <input type="checkbox"/> |
| • Frontal kicking strip for concrete installation, 1600 mm | PNC 206152 | <input type="checkbox"/> |
| • Frontal kicking strip, 800 mm | PNC 206176 | <input type="checkbox"/> |
| • Frontal kicking strip, 1000 mm | PNC 206177 | <input type="checkbox"/> |
| • Frontal kicking strip, 1200 mm | PNC 206178 | <input type="checkbox"/> |
| • Frontal kicking strip, 1600 mm | PNC 206179 | <input type="checkbox"/> |
| • 4 feet for concrete installation (not for 900 line freestanding grill) | PNC 206210 | <input type="checkbox"/> |
| • Central support for installation of drawers and grid supports for open base cupboards | PNC 206245 | <input type="checkbox"/> |
| • 2 panels for service duct (single installation) | PNC 206248 | <input type="checkbox"/> |
| • Pair of side kicking strips | PNC 206249 | <input type="checkbox"/> |
| • 2 supports runners for open base for 4 GN1/1 | PNC 206257 | <input type="checkbox"/> |
| • Electric heating kit for cupboards | PNC 206259 | <input type="checkbox"/> |
| • Pair of side kicking strips (concrete installation) | PNC 206265 | <input type="checkbox"/> |
| • Water column with swivel arm (water column extension not included) | PNC 206289 | <input type="checkbox"/> |
| • 2 side covering panels, height 700 mm, depth 700 mm | PNC 206319 | <input type="checkbox"/> |
| • 2 drawers for open base, height 100 mm | PNC 206328 | <input type="checkbox"/> |
| • Door for open base cupboard | PNC 206342 | <input type="checkbox"/> |
| • 2 drawers for open base, height 100 mm | PNC 206360 | <input type="checkbox"/> |
| • Base support for feet or wheels - 800mm (EVO700/900) | PNC 206367 | <input type="checkbox"/> |
| • Base support for feet or wheels - 1200mm (EVO700/EVO900) | PNC 206368 | <input type="checkbox"/> |
| • Base support for feet or wheels - 1600mm (EVO700/900) | PNC 206369 | <input type="checkbox"/> |
| • Base support for feet or wheels - 2000mm (EVO700/900) | PNC 206370 | <input type="checkbox"/> |
| • Rear paneling - 800mm (EVO700/900) | PNC 206374 | <input type="checkbox"/> |
| • Rear paneling - 1000mm (EVO700/900) | PNC 206375 | <input type="checkbox"/> |
| • Rear paneling - 1200mm (EVO700/900) | PNC 206376 | <input type="checkbox"/> |



Modular Cooking Range Line EVO700 Open Base Cupboard 1 Module

Key Information:

External dimensions, Width: 371113 (E7BANH0000)	800 mm
External dimensions, Depth:	550 mm
External dimensions, Height:	600 mm
Net weight:	15 kg



Modular Cooking Range Line
EVO700 Open Base Cupboard 1 Module

The company reserves the right to make modifications to the products without prior notice. All information correct at time of printing.

