

## Modular Cooking Range Line EVO700 Sink Top with Water Column, 400 mm

ITEM # \_\_\_\_\_

MODEL # \_\_\_\_\_

NAME # \_\_\_\_\_

SIS # \_\_\_\_\_

AIA # \_\_\_\_\_



372214 (Z7SUNDQ000)

Sink top with water column,  
1/2 module

### Short Form Specification

**Item No.** \_\_\_\_\_

700mm deep unit with 1,5mm thick AISI 304 stainless steel worktop and exterior panels in Stainless Steel with Scotch Brite finishing. AISI 304 well, 1mm-thick and 150mm deep with GN 1/1 dimensions. Features tap with hot and cold water knobs and right-angled side edges to allow flush fitting joints between units, eliminating gaps and possible dirt traps.

### Main Features

- Tap with hot and cold water knobs.
- Well with GN1/1 dimension, 150mm deep.
- Suitable for countertop installation.
- Unit to be mounted on open base cupboards, bridging supports or cantilever systems.

### Construction

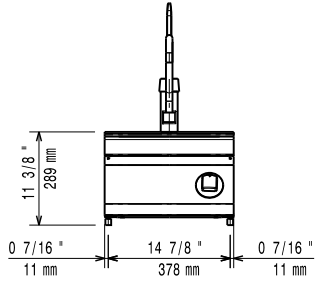
- Unit is 730mm deep to give a larger working surface area
- AISI 304 stainless steel worktop, 1,5mm thick.
- AISI 304 well, 1mm-thick.
- Model has right-angled side edges to allow flush fitting joints between units, eliminating gaps and possible dirt traps.
- All exterior panels in Stainless Steel with Scotch Brite finishing.

### Optional Accessories

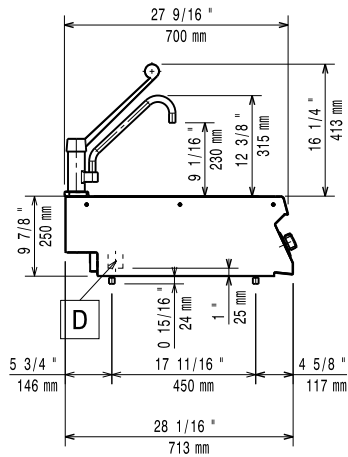
- |                                                        |            |                          |
|--------------------------------------------------------|------------|--------------------------|
| • Junction sealing kit                                 | PNC 206086 | <input type="checkbox"/> |
| • Support for bridge type installation, 800 mm         | PNC 206137 | <input type="checkbox"/> |
| • Support for bridge type installation, 1000 mm        | PNC 206138 | <input type="checkbox"/> |
| • Support for bridge type installation, 1200 mm        | PNC 206139 | <input type="checkbox"/> |
| • Support for bridge type installation, 1400 mm        | PNC 206140 | <input type="checkbox"/> |
| • Support for bridge type installation, 1600 mm        | PNC 206141 | <input type="checkbox"/> |
| • Support for bridge type installation, 400 mm         | PNC 206154 | <input type="checkbox"/> |
| • Frontal handrail 400 mm                              | PNC 206166 | <input type="checkbox"/> |
| • Frontal handrail 800 mm                              | PNC 206167 | <input type="checkbox"/> |
| • Large handrail (portioning shelf) 400 mm             | PNC 206185 | <input type="checkbox"/> |
| • Large handrail (portioning shelf) 800 mm             | PNC 206186 | <input type="checkbox"/> |
| • Frontal handrail 1200 mm                             | PNC 206191 | <input type="checkbox"/> |
| • Frontal handrail 1600 mm                             | PNC 206192 | <input type="checkbox"/> |
| • Right and left side handrails                        | PNC 206240 | <input type="checkbox"/> |
| • Chimney upstand, 400 mm                              | PNC 206303 | <input type="checkbox"/> |
| • 2 side covering panels, height 250 mm, depth 700 mm  | PNC 206320 | <input type="checkbox"/> |
| • Base support for feet or wheels - 800mm (EVO700/900) | PNC 206367 | <input type="checkbox"/> |

APPROVAL: \_\_\_\_\_

**Front**

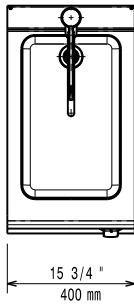


**Side**



- CW11** = Cold Water inlet 1 (cleaning)
- D** = Drain
- HWI** = Hot water inlet

**Top**



**Water:**

Water cold/hot pipe size 1/2"

**Key Information:**

External dimensions, Width: 400 mm  
 External dimensions, Depth: 700 mm  
 External dimensions, Height: 250 mm  
 Net weight: 10 kg