

Magistar Combi DI Electric Combi Oven 10GN1/1

ITEM # _____

MODEL # _____

NAME # _____

SIS # _____

AIA # _____



218912 (ZCOE101C2C0) Magistar Combi DI combi boilerless oven with digital control, 10x1/1GN, electric, programmable, automatic cleaning

218922 (ZCOE101C2A0) Magistar Combi DI combi boilerless oven with digital control, 10x1/1GN, electric, programmable, automatic cleaning

Short Form Specification

Item No. _____

- Combi oven with digital interface with guided selection.
- Boilerless steaming function to add and retain moisture.
 - AirFlow air distribution system to achieve maximum performance with 5 fan speed levels.
 - HP Automatic Cleaning: Automatic and built-in self cleaning system. 5 automatic cycles (soft, medium, strong, extra strong, rinse-only).
 - Cooking modes: Programs (a maximum of 100 recipes can be stored); Manual; EcoDelta cooking cycle.
 - Automatic backup mode to avoid downtime.
 - USB port to download HACCP data, programs and settings. Connectivity ready.
 - Single sensor core temperature probe.
 - Double-glass door with LED lights.
 - Stainless steel construction throughout.
 - Supplied with n.1 tray rack 1/1 GN, 67 mm pitch.

Main Features

- Boilerless steaming function to add and retain moisture for high quality, consistent cooking results.
- Dry hot convection cycle (max 300 °C) ideal for low humidity cooking. Automatic moistener (11 settings) for boiler-less steam generation.
- EcoDelta cooking: cooking with food probe maintaining preset temperature difference between the core of the food and the cooking chamber.
- Programs mode: a maximum of 100 recipes can be stored in the oven's memory, to recreate the exact same recipe at any time. 4-step cooking programs also available.
- AirFlow air distribution system to achieve maximum performance in chilling/heating evenness and temperature control thanks to a special design of the chamber combined with high precision variable speed fan.
- Fan with 5 speed levels from 300 to 1500 RPM and reverse rotation for optimal evenness. Fan stops in less than 5 seconds when door is opened.
- Single sensor core temperature probe included.
- Automatic fast cool down and pre-heat function.
- HP Automatic Cleaning: Automatic and built-in self cleaning system. 5 automatic cycles (soft, medium, strong, extra strong, rinse-only).
- Grease Collector: predisposed for integrated grease drain and collection for safer operation (dedicated base as optional accessory).
- Back-up mode with self-diagnosis is automatically activated if a failure occurs to avoid downtime.
- 2 different chemical options available: solid and liquid (requires optional accessory).
- Capacity: 10 GN 1/1 trays.
- OptiFlow air distribution system to achieve maximum performance in chilling/heating evenness and temperature control thanks to a special design of the chamber.

Construction

- Double thermo-glazed door with open frame construction, for cool outside door panel. Swing hinged easy-release inner glass on door for easy cleaning.
- Hygienic internal chamber with all rounded corners for easy cleaning.
- 304 AISI stainless steel construction throughout.
- Front access to control board for easy service.
- IPX5 spray water protection certification for easy cleaning.
- Supplied with n.1 tray rack 1/1 GN, 67 mm pitch.
- Integrated door shield to avoid steam and heat dispersion from the door, when the roll-in rack is not used. (only for 218922)

User Interface & Data Management

- Digital interface with LED backlight buttons with guided selection.
- USB port to download HACCP data, share cooking programs and configurations. USB port also allows to plug-in sous-vide probe (optional accessory).

APPROVAL: _____



Magistar Combi DI Electric Combi Oven 10GN1/1

- Connectivity ready for real time access to connected appliances from remote and HACCP monitoring (requires optional accessory).



Intertek

**Magistar Combi DI
Electric Combi Oven 10GN1/1**

The company reserves the right to make modifications to the products without prior notice. All information correct at time of printing.

2026.04.09



Magistar Combi DI Electric Combi Oven 10GN1/1



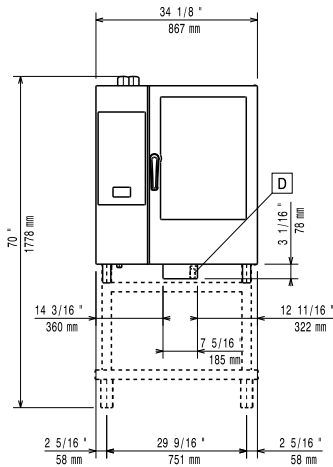
Intertek

Magistar Combi DI Electric Combi Oven 10GN1/1

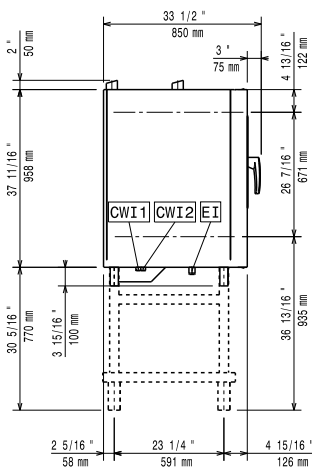
The company reserves the right to make modifications to the products without prior notice. All information correct at time of printing.

2026.04.09

Front

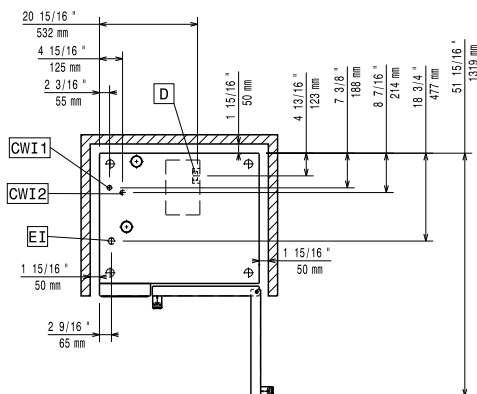


Side



- C-** = Cold Water inlet 1 (cleaning)
- WI-1**
- C-** = Cold Water Inlet 2 (steam generator)
- WI-2**
- D** = Drain
- DO** = Overflow drain pipe
- EI** = Electrical inlet (power)

Top



Electric

Circuit breaker required

Supply voltage:

- 218912 (ZCOE101C2C0)** 220-240 V/3 ph/50-60 Hz
- 218922 (ZCOE101C2A0)** 380-415 V/3N ph/50-60 Hz

Electrical power, max:

20.3 kW

Electrical power, default:

19 kW

Water:

Inlet water temperature, max:

30 °C

Inlet water pipe size (CWI1, CWI2):

3/4"

Pressure, min-max:

1-6 bar

Chlorides:

<10 ppm

Conductivity:

>50 µS/cm

Drain "D":

50mm

Electrolux Professional recommends the use of treated water, based on testing of specific water conditions.

Please refer to user manual for detailed water quality information.

Installation:

Clearance:

Clearance: 5 cm rear and right hand sides.

Suggested clearance for service access:

50 cm left hand side.

Capacity:

Trays type:

10 (GN 1/1)

Max load capacity:

50 kg

Key Information:

Door hinges:

Right Side

External dimensions, Width:

867 mm

External dimensions, Depth:

775 mm

External dimensions, Height:

1058 mm

Weight:

144 kg

Net weight:

127 kg

Shipping weight:

144 kg

Shipping volume:

218912 (ZCOE101C2C0) 1.04 m³

218922 (ZCOE101C2A0) 1.06 m³