



322069 (F00N1KW00S)

Ambient Unit on cupboard (1 GN) with wheels and two stainless steel tray sliders, H=750mm

Main Features

- Perfect compact design makes it ideal for space saving environments.
- CB and CE certified by a third party notified body.
- Soft closing doors on operator side.
- Available options with online configurator: colors, tray sliders, overshelves, feet/wheels with desired diameter, height 750mm for kids.
- Top provides ample displaying or workspace surface.
- Optional plinth can be installed to cover the feet or the wheels.
- AISI 304 Tray slider in flush mounted stainless steel is installed on long sides and they can also be folded down to facilitate passage of the units through doorways.
- Ideal for servery lines without an operator.
- Unit mounted on 125 mm wheels 2 swivel and 2 with brakes.
- Food introduced at the correct temperature maintains its core temperature according to Afnor Standards.
- Available dimensions: 1, 2, 3, 4 GN.
- Thanks to the sleek, minimalist glass structure, food and dust does not get trapped and the cleaning is made easier.

Construction

- Top in AISI 304.
- Sturdy construction with laminated panelings on 4 sides.

Optional Accessories

PNC Code	Description
Feet, wheels and ramps	
800002	Kit 4 height adjustable flanged feet, Marine
Kicking strips	
800003	Kicking strip for 1 GN unit



Recommended Detergents

PNC Code	Description
OS2881	S01 STAINLESS STEEL SURFACE POLISHER; 6 BOTTLES X 750ML C/T
OS2883	S03 ALCOHOL BASE DETERGENT; 6 BOTTLES X 750ML; ADR&IMDG&IATA Limited Quantity
OS2884	S04 GLASSES & HARD SURFACES CLEANERS; 6 BOTTLES X 750ML
OS3257	S05 - MULTIPURPOSE DEGREASER; 6PCS X 750ML; ADR&IMDG Limited Quantity

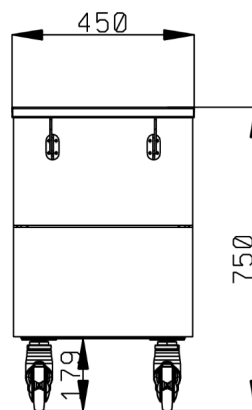


Technical specifications

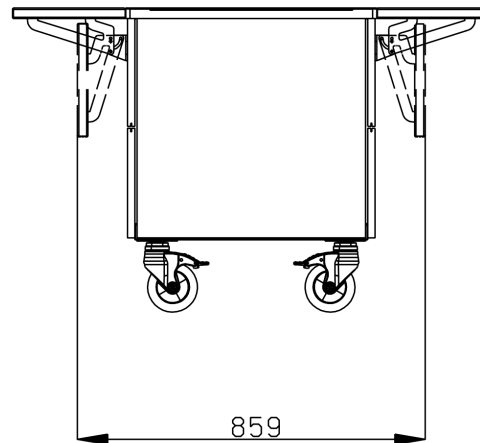
Key Information:

N° of doors:	1
External dimensions, Width:	450 mm
External dimensions, Depth:	1180 mm
External dimensions, Height:	750 mm
Net weight:	41 kg
Shipping height:	780 mm
Shipping width:	490 mm
Shipping depth:	899 mm
Shipping volume:	0.34 m ³

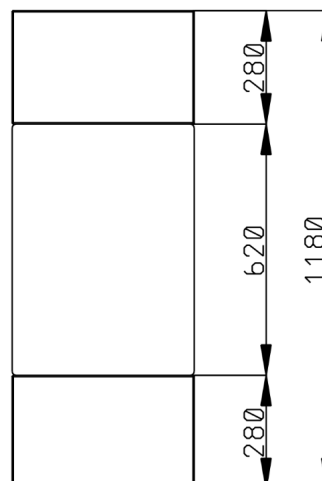
Front



Side



Top



Find out more:
ISO Certificates
[Electrolux Professional Recognitions](#)

The company reserves the right to make modifications to the products without prior notice. All information correct at time of printing.

2026/05/12

3/3