



361288 (PTR150H)

1-side Trolley for 150 Plates h=935

Main Features

- 4 pivoting Ø 125 mm wheels, 2 of which with brakes, fitted with plastic bumpers
- Accomodates 150 stacked plates, maximum 245 mm in diameter.
- Framework in 25 mm tubing, completely welded.
- Seamless inclined base and back shelves with upturn edges welded to the framework.
- Two plate dividers in chromium plated galvanized steel wire, that can be placed in different positions.

Construction

- Constructed entirely in 304 AISI stainless steel.

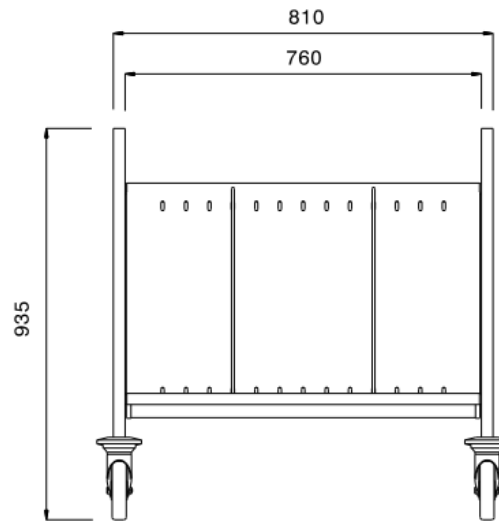


Technical specifications

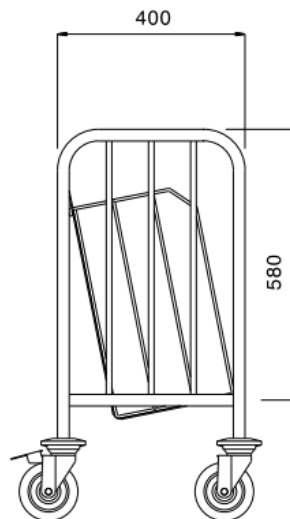
Key Information:

External dimensions, Width:	880 mm
External dimensions, Depth:	470 mm
External dimensions, Height:	935 mm
Wheel material:	Zinc plated
Wheel diameter:	Ø 125
Net weight:	16 kg

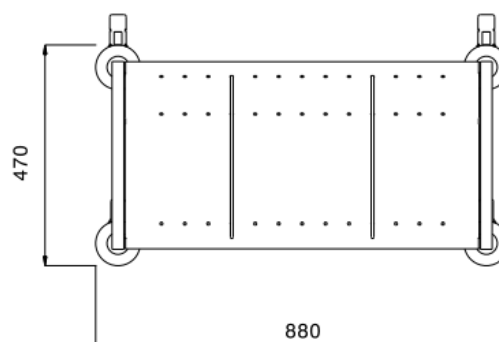
Front



Side



Top



Find out more:
ISO Certificates
[Electrolux Professional Recognitions](#)

The company reserves the right to make modifications to the products without prior notice. All information correct at time of printing.

2026/03/13

2/2