



**361294 (PTR300T)**

2-side 2-tier Trolley for 300 Plates

## Main Features

---

- 4 pivoting Ø 125 mm wheels, 2 of which with brakes, fitted with plastic bumpers
- Accommodates 300 stacked plates, maximum 245 mm in diameter.
- Eight plate dividers in chromium plated galvanized steel wire, that can be placed in different positions
- Framework in square 25x25 mm tubing, completely welded.
- Seamless inclined base and back shelves with upturn edges welded to the framework.

## Construction

---

- Constructed entirely in 304 AISI stainless steel.

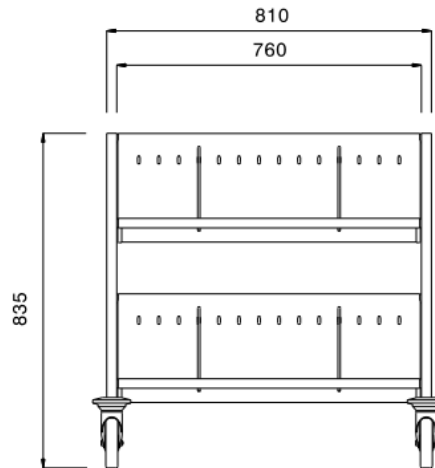


# Technical specifications

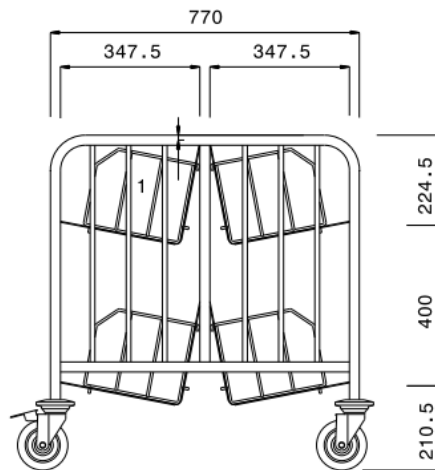
## Key Information:

External dimensions, Width:	880 mm
External dimensions, Depth:	840 mm
External dimensions, Height:	835 mm
Wheel material:	Zinc plated
Wheel diameter:	Ø 125
Net weight:	33 kg

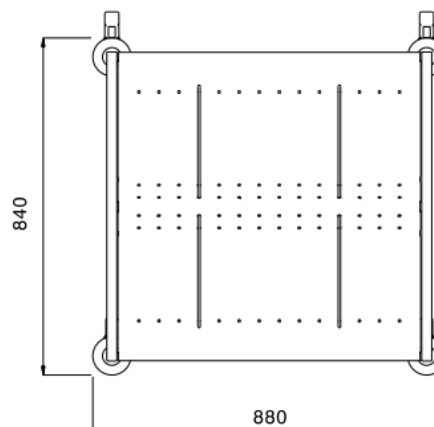
Front



Side



Top



Find out more:  
ISO Certificates  
[Electrolux Professional Recognitions](#)

The company reserves the right to make modifications to the products without prior notice. All information correct at time of printing.

2026/03/13

2/2