



371176 (E71NEH400P)

4-zone (5 kW each) electric Induction Cooking Top

Main Features

- Almost the entire surface of the ceramic plate can be used without “dead” spots.
- Indicating lamp for each zone located on control console.
- Induction plates endowed with overheating safety device.
- IPx4 water protection.
- Low heat dissipation to the kitchen.
- Power to the individual zones can be set with progressive output i.e. fine regulation at the lower and larger progress at the upper levels.
- The smooth, glass ceramic plate is not directly heated, so there is no burning on cooking surface.
- 6mm glass ceramic cooking surface with 4 independently controlled induction zones with a power of 5 kW per zone.
- Pots diameter to be used : min 12cm, max 28 cm in order to obtain maximum heating efficiency.
- Suitable for countertop installation.

Construction

- Model has right-angled side edges to allow flush fitting joints between units, eliminating gaps and possible dirt traps.
- One piece pressed 1.5 mm work top in Stainless steel.
- All exterior panels in Stainless Steel with Scotch Brite finishing.

Sustainability

- This model is compliant with Swiss Energy Efficiency Ordinance (730.02).



Optional Accessories

PNC Code	Description
Bridge supports	
206137	Support for bridge type installation, 800mm
206138	Support for bridge type installation, 1000mm
206139	Support for bridge type installation, 1200mm
206140	Support for bridge type installation, 1400mm
206141	Support for bridge type installation, 1600mm
Chimney upstands	
206304	Chimney upstand, 800mm
206400	Chimney grid net, 400mm (700XP/900)
Other accessories	
206455	Cloche for fry tops
Panels	
216277	2 side covering panels for top appliances
Water taps	
206291	Water column extension for 700 line



Technical specifications

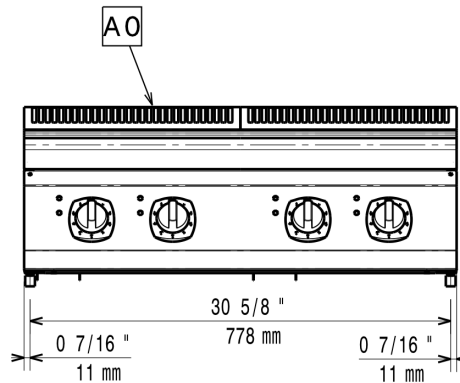
Electric

Supply voltage:	380-415 V/3 ph/50/60 Hz
Total Watts:	20 kW
Predisposed for:	380-415V 3~ 50/60Hz 20kW

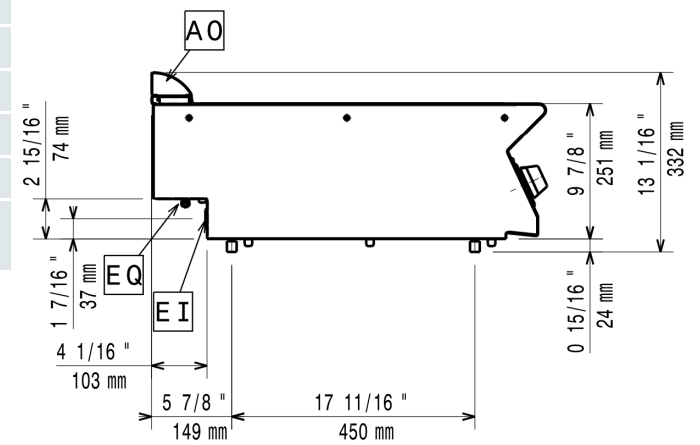
Key Information:

External dimensions, Width:	800 mm
External dimensions, Depth:	730 mm
External dimensions, Height:	250 mm
Net weight:	65 kg
Shipping weight (gross):	67 kg
Shipping height:	520 mm
Shipping width:	820 mm
Shipping depth:	860 mm
Shipping volume:	0.37 m ³
Certification group:	IH74P
Induction Top Dimensions (width):	800 mm
Induction Top Dimensions (depth):	730 mm

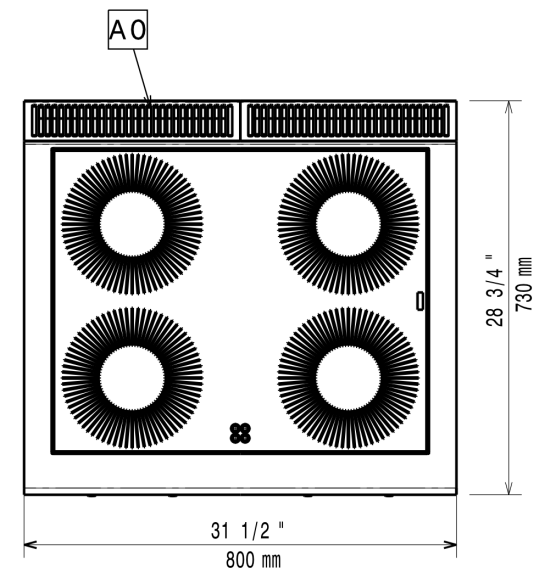
Front



Side



Top



EI = Electrical inlet (power)

EQ = Equipotential screw



Find out more:
ISO Certificates
Electrolux Professional Recognitions

The company reserves the right to make modifications to the products without prior notice. All information correct at time of printing.

2026/05/11

3/3