


371244 (E7GRTHGCOP)

Full module gas PowerGrill Top - HP - town gas

Main Features

- Unit to be mounted on open base cupboards, bridging supports or cantilever systems.
- Stainless steel high splash guards on the rear and sides of cooking surface. Splash guards can be easily removed for cleaning and are dishwasher-safe.
- Stainless steel burners with flame failure device, optimized combustion and protected pilot light
- AISI 441 stainless steel deflective shields located below the radiants prevent burners from clogging, minimize flare ups and ensure even heat distribution (PATENT US9591947B2 and related family).
- Dishwasher-safe radiants removable without the use of tools to facilitate cleaning.
- Cooking grids made in highly resistant enameled cast iron for easy cleaning.
- Suitable for countertop installation.

Construction

- Model has right-angled side edges to allow flush fitting joints between units, eliminating gaps and possible dirt traps.
- One piece pressed 1.5 mm work top in Stainless steel.
- IPx4 water protection.
- All exterior panels in Stainless Steel with Scotch Brite finishing.

Optional Accessories

PNC Code	Description
Bridge supports	
206137	Support for bridge type installation, 800mm
206138	Support for bridge type installation, 1000mm
206139	Support for bridge type installation, 1200mm
206141	Support for bridge type installation, 1600mm
Cleaning solutions	
206347	Scraper kit with hooks for HP grills
Feet, wheels and ramps	
206369	Base support for feet or wheels - 1600mm (700/900)



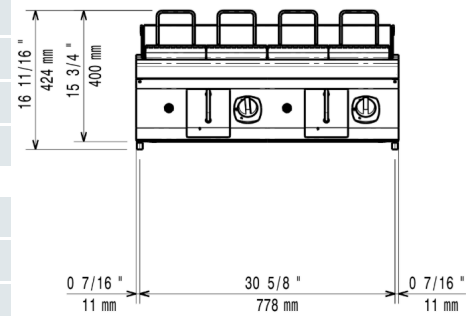
PNC Code	Description
Handrails	
206307	Right and left side handrails
206308	Back handrail 800 mm
216047	Frontal handrail, 800mm
216049	Frontal handrail, 1200mm
216050	Frontal handrail, 1600mm
216185	Large handrail - portioning shelf, 400mm
Installation solutions	
206086	Junction sealing kit
Panels	
216277	2 side covering panels for top appliances



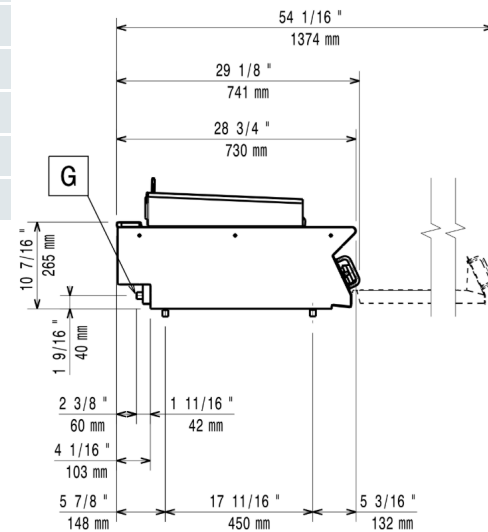
Technical specifications

Gas	
Gas Power:	14 kW
Standard gas delivery:	Natural Gas G20 (20mbar)
Gas Type Option:	
Gas Inlet:	1/2"
Key Information:	
Net weight:	68 kg
Shipping weight:	80 kg
Shipping height:	540 mm
Shipping width:	850 mm
Shipping depth:	800 mm
Shipping volume:	0.37 m ³
Certification group:	N7EGG
Cooking surface width:	742 mm
Cooking surface depth:	472 mm

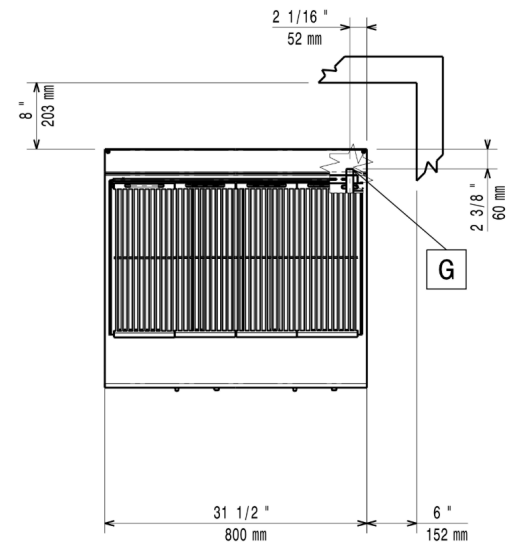
Front



Side



Top



G = Gas connection

EQ = Equipotential screw



Find out more:
ISO Certificates
Electrolux Professional Recognitions

The company reserves the right to make modifications to the products without prior notice. All information correct at time of printing.

24/02/2026

3/3