



371271 (E7BSGHDNF0)
60-lt direct gas Boiling Pan

Main Features

- Discharge tube and tap are very easy to clean from outside.
- Ergonomic: the depth of the vessel facilitates stirring the food, also the most delicate food.
- Kettle is suitable to cook, sauté or poach all kinds of produce.
- Large capacity food tap enables safe and effortless discharging of contents.
- No overshooting of cooking temperatures, fast reaction.
- Smooth large surfaces, easy access for cleaning.
- Solenoid valve to refill with hot and cold water.
- Unit to have stainless steel feet with height adjustment up to 50 mm.
- Produce is uniformly heated in the base and side walls of the kettle by a direct heating system.
- Sides of vessel with satin finishing for easy cleaning.

Construction

- One piece pressed 1.5 mm work top in Stainless steel.
- Robust burners in stainless steel with flame failure device, protected pilot light and optimized combustion.
- IPx4 water protection.
- The tanks are welded in two parts, the side band is in AISI 304, bottom is in ASI 316L, lids are in AISI 304.

Sustainability

- Closed heating system - no waste of energy.
- Firmly fitting cover to reduce cooking time and save energy costs.



Optional Accessories

PNC Code	Description
Baskets	
921626	1-section noodle basket for 60lt boiling pans
Chimney upstands	
206132	Draught diverter, 150 mm diameter
206133	Matching ring for flue condenser, 150 mm diameter
206246	Flue condenser for 1 module, 150 mm diameter
206304	Chimney upstand, 800mm
Feet, wheels and ramps	
206135	Kit 4 wheels - 2 swivelling with brake - it is mandatory to install Base support and wheels
206136	Flanged feet kit
206210	Kit 4 feet for concrete installation (not for 900 line free standing grill)
206366	Base support for feet or wheels - 400mm (700/900)
206367	Base support for feet or wheels - 800mm (700/900)
206368	Base support for feet or wheels - 1200mm (700/900)
206369	Base support for feet or wheels - 1600mm (700/900)
206370	Base support for feet or wheels - 2000mm (700/900)
Handrails	
206307	Right and left side handrails
206308	Back handrail 800 mm
216047	Frontal handrail, 800mm
216049	Frontal handrail, 1200mm
216186	Large handrail - portioning shelf, 800mm
Installation solutions	
206086	Junction sealing kit
Kicking strips	
206147	Frontal kicking strip for concrete installation, 400mm
206148	Frontal kicking strip for concrete installation, 800mm
206150	Frontal kicking strip for concrete installation, 1000mm
206151	Frontal kicking strip for concrete installation, 1200mm
206152	Frontal kicking strip for concrete installation, 1600mm
206176	Frontal kicking strip, 800mm (not for refr-freezer base)
206177	Frontal kicking strip, 1000mm (not for refr-freezer base)
206178	Frontal kicking strip, 1200mm (not for refr-freezer base)
206179	Frontal kicking strip, 1600mm (not for refr-freezer base)
206249	Pair of side kicking strips
206265	Pair of side kicking strips for concrete installation



PNC Code	Description
Measuring rods	
927000	Measuring rod for 60 l Boiling Pan
Other accessories	
927225	Pressure regulator for gas units
Panels	
206374	Rear paneling - 800mm (700/900)
206375	Rear paneling - 1000mm (700/900)
206376	Rear paneling - 1200mm (700/900)
216000	2 side covering panels for free standing appliances
Trolleys	
922403	Trolley with lifting & removable tank

Recommended Detergents

PNC Code	Description
OS2292	C41 HI-TEMP RAPID DEGREASER, 1 pack of six 1 lt bottles (trigger incl.)
OS2881	S01 STAINLESS STEEL SURFACE POLISHER; 6 BOTTLES X 750ML C/T
OS2882	S02 Degreaser for ovens and SpeedDelight. Specific for cleaning the cooking chambers of GourmeXpress and SpeeDelight. Active up to a maximum of 50°C Complete with spray bottle Pack of 6 750ml bottles
OS2883	S03 ALCOHOL BASE DETERGENT; 6 BOTTLES X 750ML; ADR&IMDG&IATA Limited Quantity
OS2884	S04 GLASSES & HARD SURFACES CLEANERS; 6 BOTTLES X 750ML
OS3257	S05 - MULTIPURPOSE DEGREASER; 6PCS X 750ML; ADR&IMDG Limited Quantity



Technical specifications

Electric

Supply voltage:	230 V/1N ph/50 Hz
Total Watts:	0.1 kW

Gas

Gas Power:	14 kW
Standard gas delivery:	Natural Gas G20 (20mbar)
Gas Type Option:	LPG
Gas Inlet:	1/2"

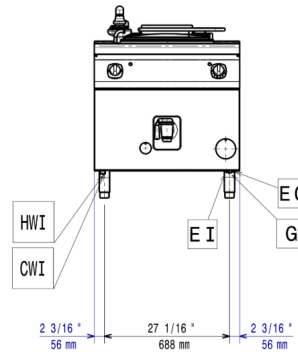
Water:

Water drain outlet size:	1 1/2"
--------------------------	--------

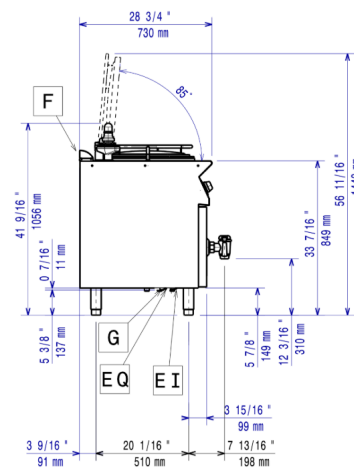
Key Information:

Pan useful capacity:	60 liter
Vessel (round) diameter:	420 mm
Net weight:	95 kg
Shipping weight:	84 kg
Shipping height:	1140 mm
Shipping width:	820 mm
Shipping depth:	860 mm
Shipping volume:	0.8 m ³
Certification group:	N7PG

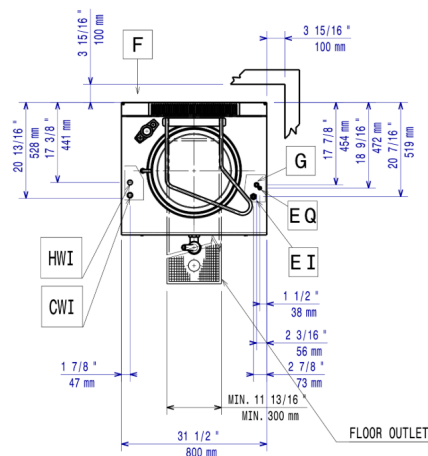
Front



Side



Top



CW11 = Cold Water inlet 1 (cleaning)

D = Drain

G = Gas connection

EI = Electrical inlet (power)

HWI = Hot water inlet



Find out more:
ISO Certificates
Electrolux Professional Recognitions

The company reserves the right to make modifications to the products without prior notice. All information correct at time of printing.

2026/04/15

4/4