



### 371335 (E7IIMAAOMEA)

Full module gas Fry Top with 2/3 smooth and 1/3 ribbed brushed chrome cooking Plate, sloped, thermostatic control, scraper included

## Main Features

- Gas appliance supplied for use with natural or LPG gas, conversion jets supplied as standard.
- IPx4 water protection.
- Large drain hole on cooking surface permits the draining of fat into large 1,5 liter collector placed under the cooking surface.
- Piezo spark ignition for added safety.
- Unit to be mounted on open base cupboards, bridging supports or cantilever systems.
- Large grease collection container available as optional accessory to be installed under top units over open base cupboard.
- Stainless steel high splash guard on the rear and sides of cooking surface. Splash guard can be easily removed for cleaning.
- Frontal simmering zone.
- Temperature range from 100° up to 280°C.
- Rough brushed chrome surface is highly resistant to scratches and facilitates cleaning operations at the end of the day.
- Scrapers with smooth and ribbed blades included as standard.
- Suitable for countertop installation.

## Construction

- Model has right-angled side edges to allow flush fitting joints between units, eliminating gaps and possible dirt traps.
- One piece pressed 1.5 mm work top in Stainless steel.
- Cooking surface 2/3 smooth and 1/3 ribbed.
- All exterior panels in Stainless Steel with Scotch Brite finishing.
- Cooking surface 12mm thick brushed chrome for optimum grilling results and ease of use.

## Included Accessories

PNC Code	Description	Quantity
164255	Scraper for smooth plate fry tops	1
206420	Scraper for ribbed plate fry tops - kit includes knife blades for both smooth and ribbed surface	1



## Optional Accessories

PNC Code	Description
<b>Bridge supports</b>	
206137	Support for bridge type installation, 800mm
206138	Support for bridge type installation, 1000mm
206139	Support for bridge type installation, 1200mm
206140	Support for bridge type installation, 1400mm
206141	Support for bridge type installation, 1600mm
<b>Chimney upstands</b>	
206132	Draught diverter, 150 mm diameter
206133	Matching ring for flue condenser, 150 mm diameter
206246	Flue condenser for 1 module, 150 mm diameter
206304	Chimney upstand, 800mm
206400	Chimney grid net, 400mm (700XP/900)
<b>Cleaning solutions</b>	
164255	Scraper for smooth plate fry tops
206420	Scraper for ribbed plate fry tops - kit includes knife blades for both smooth and ribbed surface
<b>Gas nozzles</b>	
206466	Kit G.25.3 (NI) gas nozzles for 700 fry tops
<b>Grease/oil management</b>	
206346	Grease/oil kit container for 700 line frytops (half and module) and 900 line frytops (module)
<b>Handrails</b>	
206307	Right and left side handrails
206308	Back handrail 800 mm
216047	Frontal handrail, 800mm
216049	Frontal handrail, 1200mm
216050	Frontal handrail, 1600mm
216186	Large handrail - portioning shelf, 800mm
<b>Installation solutions</b>	
206086	Junction sealing kit
<b>Other accessories</b>	
206455	Cloche for fry tops
927225	Pressure regulator for gas units
<b>Panels</b>	
216277	2 side covering panels for top appliances



## Recommended Detergents

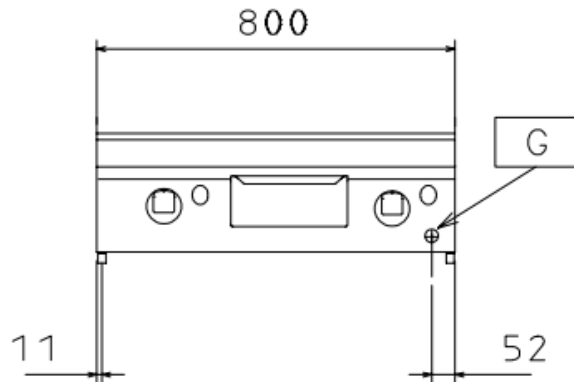
PNC Code	Description
OS2292	C41 HI-TEMP RAPID DEGREASER, 1 pack of six 1 lt. bottles (trigger incl.)
OS2881	S01 STAINLESS STEEL SURFACE POLISHER; 6 BOTTLES X 750ML C/T
OS2882	S02 Degreaser for ovens and SpeedDelight. Specific for cleaning the cooking chambers of GourmeXpress and SpeeDelight. Active up to a maximum of 50°C Complete with spray bottle Pack of 6 750ml bottles
OS2883	S03 ALCOHOL BASE DETERGENT; 6 BOTTLES X 750ML; ADR&IMDG&IATA Limited Quantity
OS2884	S04 GLASSES & HARD SURFACES CLEANERS; 6 BOTTLES X 750ML
OS3257	S05 - MULTIPURPOSE DEGREASER; 6PCS X 750ML; ADR&IMDG Limited Quantity



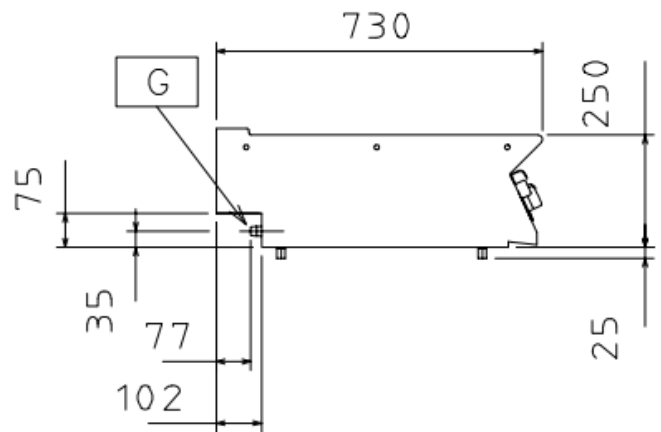
# Technical specifications

Gas	
Gas Power:	14 kW
Gas Type Option:	LPG
Gas Inlet:	1/2"
Key Information:	
Working Temperature MIN:	100 °C
Working Temperature MAX:	280 °C
External dimensions, Width:	800 mm
External dimensions, Depth:	730 mm
External dimensions, Height:	250 mm
Net weight:	70 kg
Shipping weight:	78 kg
Shipping height:	540 mm
Shipping width:	820 mm
Shipping depth:	860 mm
Shipping volume:	0.38 m <sup>3</sup>
Cooking surface width:	730 mm
Cooking surface depth:	540 mm

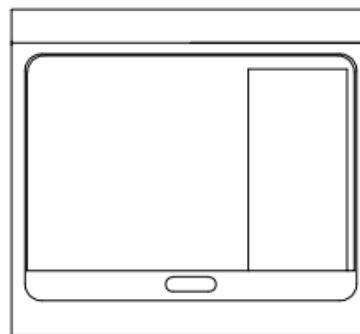
Front



Side



Top



G = Gas connection  
EQ = Equipotential screw



Find out more:  
ISO Certificates  
Electrolux Professional Recognitions

The company reserves the right to make modifications to the products without prior notice. All information correct at time of printing.

2026/04/15

4/4