



391011 (E9GCGL6C00)

6-Burner (2x10 kW, 4x6 kW) gas Boiling Top

Main Features

- Flame failure device on each burner protects against gas leakage when accidental extinguishing of the flame occurs.
- Gas appliance supplied for use with natural or LPG gas, conversion jets supplied as standard.
- IPX5 water protection.
- Large sized pan support in cast iron (stainless steel as option) with long center fins to allow the use of the largest down to the smallest pans.
- Protected pilot light
- The special design of the control knob system guarantees against water infiltration.
- Unit to be mounted on open base cupboards, bridging supports or cantilever systems.
- Burners with optimized combustion.
- The four 6 kW and two 10 kW high efficiency burners are available in two different sizes to suit high performing cooking requirements of the most demanding customers: - 60 mm burners with power regulation from 1,5 to 6 kW - 100 mm burners with power regulation from 2.2 kW to 10 kW
- Optional tilting plinth can be installed to cover the feet or the wheels.
- Suitable for countertop installation.

Construction

- Model has right-angled side edges to allow flush fitting joints between units, eliminating gaps and possible dirt traps.
- AISI 304 stainless steel worktop, 2mm thick.
- All exterior panels in Stainless Steel with Scotch Brite finishing.
- Unit is 930 mm deep to give a larger working surface area.



Optional Accessories

PNC Code	Description
Bridge supports	
206139	Support for bridge type installation, 1200mm
206140	Support for bridge type installation, 1400mm
206141	Support for bridge type installation, 1600mm
Burner grids, plates, supports	
206170	Single burner radiant plate for pan support
206171	Single burner smooth plate for direct cooking - fits frontal burners only
206172	Single burner ribbed plate for direct cooking - fits frontal burners only
206298	Stainless steel double grid for 2 burners
206363	Wok pan support for open burners (700/900)
Chimney upstands	
206132	Draught diverter, 150 mm diameter
206133	Matching ring for flue condenser, 150 mm diameter
206246	Flue condenser for 1 module, 150 mm diameter
206306	Chimney upstand, 1200mm
Containers, trays and grids	
164250	GN2/1 chrome grid for static oven
Gas nozzles	
206384	Kit town gas nozzles (G150) for 900 gas boiling top
206457	Kit G.25.3 (NI) gas nozzles for 900 top gas cookers
Handrails	
206309	Back handrail 1200 mm
216044	Side handrail-right/left hand (900XP)
216049	Frontal handrail, 1200mm
216050	Frontal handrail, 1600mm
216185	Large handrail - portioning shelf, 400mm
216186	Large handrail - portioning shelf, 800mm
Installation solutions	
206086	Junction sealing kit
Other accessories	
927225	Pressure regulator for gas units
Panels	
216278	2 side covering panels for top appliances
Water taps	
206289	Water column with swivel arm (water column extension not included)
206290	Water column extension for 900 line



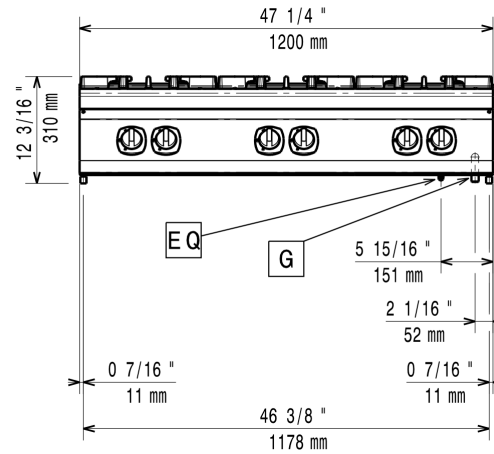
PNC Code	Description
Other accessories	
206385	Kit town gas nozzles (G150) for 900 gas ranges on gas oven



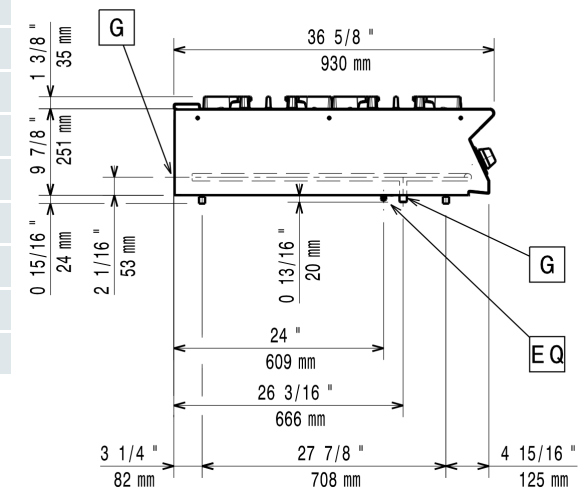
Technical specifications

Gas	
Gas Power:	44 kW
Standard gas delivery:	Natural Gas G20 (20mbar)
Gas Type Option:	LPG; Natural Gas
Gas Inlet:	1/2"
Key Information:	
External dimensions, Width:	1200 mm
External dimensions, Depth:	930 mm
External dimensions, Height:	250 mm
Net weight:	110 kg
Shipping weight (gross):	101 kg
Shipping height:	540 mm
Shipping width:	1020 mm
Shipping depth:	1270 mm
Shipping volume:	0.7 m ³
Front Burners Power:	6 - 6 kW
Back Burners Power:	10 - 10 kW
Middle Burners Power:	6 - 0/6 - 0 kW
Certification group:	N9CG
Back Burners Dimension - mm	Ø 100 Ø 100
Front Burners Dimension - mm	Ø 60 Ø 60
Middle Burners Dimension - mm	Ø 60 Ø 60

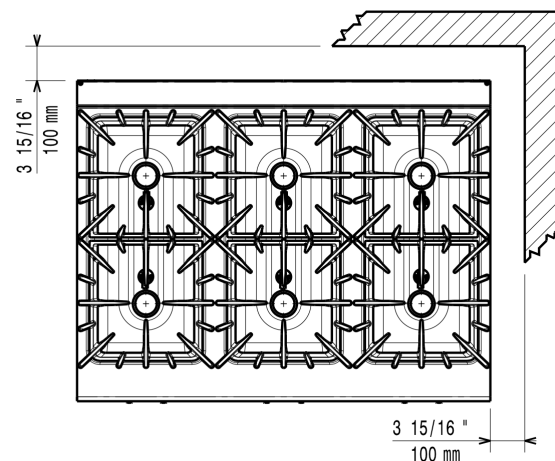
Front



Side



Top



G = Gas connection



Find out more:
ISO Certificates
Electrolux Professional Recognitions

The company reserves the right to make modifications to the products without prior notice. All information correct at time of printing.

2026/05/31