

**391406 (E9I1KAAOMIA)**

Large gas fry top with smooth Scratch Resistant NitroChrome3 cooking plate, horizontal, thermostatic control, scraper included - HP

Main Features

- IPX5 water protection.
- Stainless steel high splash guards on the rear and sides of cooking surface.
- The special design of the control knob system guarantees against water infiltration.
- Unit to be mounted on open base cupboards, bridging supports or cantilever systems.
- Piezo spark ignition with thermostatic valve for added safety.
- Exclusive [i][b]IcyHot[/b]/[i] installation: combine the Fry Top HP with the dual temperature refrigerated/freezer base HP and obtain a single appliance which simultaneously increases productivity and facilitates cooking and storage operations.
- Two large drain holes on cooking surface permits the draining of fat into two separate 3 liter collectors placed under the cooking surface.
- Units have 4 independent controls to regulate temperature of the cooking surface.
- Scratch resistant cooking surface thanks to a special treatment of the chromium plate.
- Easy to clean and corrosion resistant chromium surface.
- Temperature range from 90° up to 270°C.
- Suitable for countertop installation.

Construction

- Cooking surface completely smooth.
- Model has right-angled side edges to allow flush fitting joints between units, eliminating gaps and possible dirt traps.
- AISI 304 stainless steel worktop, 2mm thick.
- All exterior panels in Stainless Steel with Scotch Brite finishing.
- Unit is 930 mm deep to give a larger working surface area.
- Non-scratch cooking surface 20mm thick for optimum grilling results and ease of use.

Included Accessories

PNC Code	Description	Quantity
164255	Scraper for smooth plate fry tops	1



Optional Accessories

PNC Code	Description
Bridge supports	
206139	Support for bridge type installation, 1200mm
206140	Support for bridge type installation, 1400mm
206141	Support for bridge type installation, 1600mm
Chimney upstands	
206509	Chimney upstand for NitroChrome3 scratch resistant chromium Fry Top HP 1200mm
Cleaning solutions	
164255	Scraper for smooth plate fry tops
206420	Scraper for ribbed plate fry tops - kit includes knife blades for both smooth and ribbed surface
Drains	
206345	Water drain for fry tops HP
Gas nozzles	
206468	Kit G.25.3 (NI) gas nozzles for 900 fry tops HP
Handrails	
206309	Back handrail 1200 mm
216049	Frontal handrail, 1200mm
216050	Frontal handrail, 1600mm
Other accessories	
206455	Cloche for fry tops
927225	Pressure regulator for gas units
Panels	
206376	Rear paneling - 1200mm (700/900)

Recommended Detergents

PNC Code	Description
0S2292	C41 HI-TEMP RAPID DEGREASER, 1 pack of six 1 lt. bottles (trigger incl.)
0S2881	S01 STAINLESS STEEL SURFACE POLISHER; 6 BOTTLES X 750ML C/T
0S2882	S02 Degreaser for ovens and SpeedDelight. Specific for cleaning the cooking chambers of GourmeXpress and SpeedDelight. Active up to a maximum of 50°C Complete with spray bottle Pack of 6 750ml bottles
0S2883	S03 ALCOHOL BASE DETERGENT; 6 BOTTLES X 750ML; ADR&IMDG&IATA Limited Quantity
0S2884	S04 GLASSES & HARD SURFACES CLEANERS; 6 BOTTLES X 750ML
0S3257	S05 - MULTIPURPOSE DEGREASER; 6PCS X 750ML; ADR&IMDG Limited Quantity

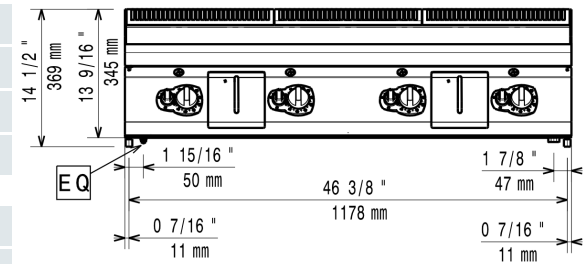


Technical specifications

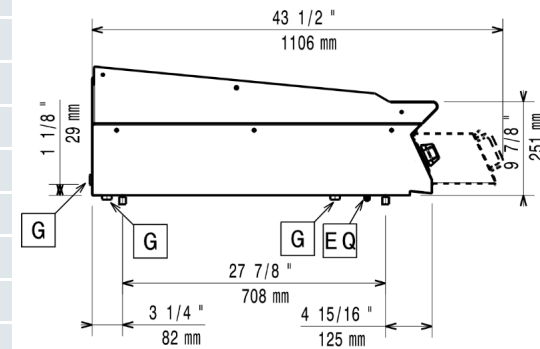
Gas

Gas Power:	33 kW
Standard gas delivery:	Natural Gas G20 (20mbar)
Gas Type Option:	LPG; Natural Gas
Gas Inlet:	1/2"
Key Information:	
External dimensions, Width:	1200 mm
External dimensions, Depth:	930 mm
External dimensions, Height:	250 mm
Net weight:	150 kg
Shipping weight (gross):	199 kg
Shipping height:	580 mm
Shipping width:	1020 mm
Shipping depth:	1270 mm
Shipping volume:	0.75 m ³
Cooking surface width:	1194 mm
Cooking surface depth:	610 mm

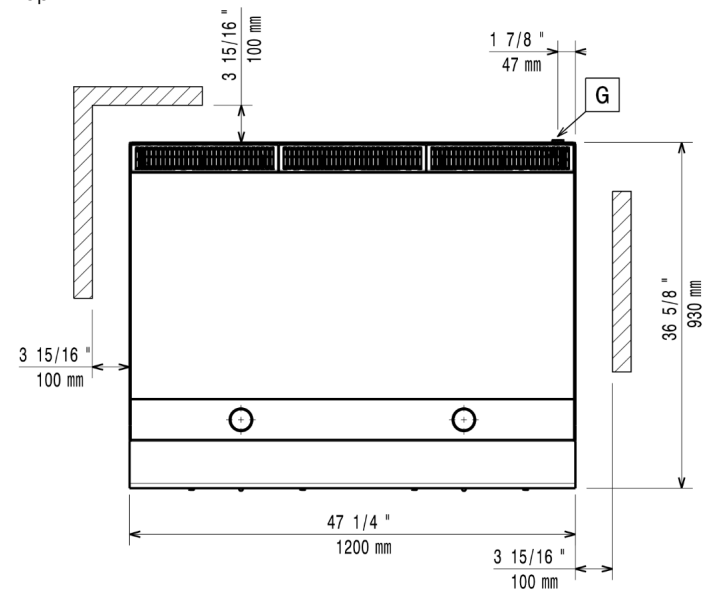
Front



Side



Top



G = Gas connection

EQ = Equipotential screw



Find out more:
ISO Certificates
Electrolux Professional Recognitions

The company reserves the right to make modifications to the products without prior notice. All information correct at time of printing.

2026/05/10

3/3