

#### 402124 (ETGWSG16)

Undercounter Glasswasher (S), 400x400mm rack, electronic, single skin with pressure boiler, rinse aid+detergent pumps, drain pump, tank filters, 40 r/h, 1 phase, 60Hz, Schuko plug

#### What the OnE Connected App can do for you?



- **Connect:** Manage your undercounter dishwasher anytime with seamless Bluetooth connectivity.
- **Control:** Gain instant insights into consumptions and savings directly from your mobile.
- **Customize:** Choose the cycle that best fits your needs, or create a personalized one, to ensure spotless results every time.

## Main Features

- Deep drawn pressed wash tank with fully rounded corners, sloped towards the drain to prevent dirt build up provides fast drainage in only a few minutes. Pressed wash tank with no welded points offer a guaranteed water tight solution.
- Built-in pressure boiler designed to raise incoming water to a guaranteed minimum temperature of 82°C for sanitizing rinse. No external boiler is required.
- Washing system endowed with rotating washing arms, high powered wash pump and large capacity wash tank for professional washing.
- Maximum capacity of 40 racks per hour.
- Suitable to fit 400\*400 mm racks.
- Simple operation control panel with digital display, led info lights; and color-coded main button to launch the washing cycles.
- Featured with n°4 washing cycle, 90 / 120 / 180 / 540 seconds, selectable by the display and customizable on site by service; to wash different kind of crockery.
- Built-in rinse aid and detergent dispenser with automatic chemicals loading, for perfect result while minimizing service and maintenance needs.
- Equipped with drain pump, to easily adjust the discharge height in case of wall plumbing; avoiding wastewater returns.
- Equipped with electrical cable fitting UK plug.
- Equipped with electrical cable fitting schuko plug.
- Easy service access to all the main components from the front of the appliance, to fast on site operation.



## Construction

---

- Completely closed on the back by a cover plate.
- Structure, panels, cavity and door in stainless steel to long lasting.
- Insulated double skin counter-balanced door construction for silent and smooth operation. Counter-balance mechanism minimizes impact when opening and closing.
- Upper and lower screwed washing & rinsing arms and tank filters in composite material; are easy removable from the cavity to easy operation.
- Unit to feature rinse aid and detergent dispenser peristaltic pumps.





# A focus on sustainability

## Sustainability

- Clear water consumption of 2 liter/rack, the water of the rinsing phase is recirculated to enable washing.
- Low noise level of 61 db during operations.
- Eco stand-by energy management function, to reduce power usage on inactive period.

## Certifications & Recognitions



UK certification body for plumbing products and materials, helping businesses and consumers choose compliant products that keep water safe.



Find out more:  
[ISO Certificates](#)  
[Electrolux Professional Recognitions](#)

The company reserves the right to make modifications to the products without prior notice. All information correct at time of printing.

2026/06/01

3/6

# Technical specifications

## Electric

Supply voltage:	220-240 V/1 ph/60 Hz
Default Installed Power:	2.7 kW
Boiler heating elements:	2.7 kW
Tank heating elements:	2.4 kW
Wash pump size:	0.2 kW

## Water:

Water supply temperature*:	10-50 °C
Drain line size:	29mm
Washing tank capacity (lt):	12
Water consumption per cycle (lt):	0 / 2
Boiler Capacity (lt):	3
Pressure, bar min/max:	2-5 bar
Incoming water line size:	

## Key Information:

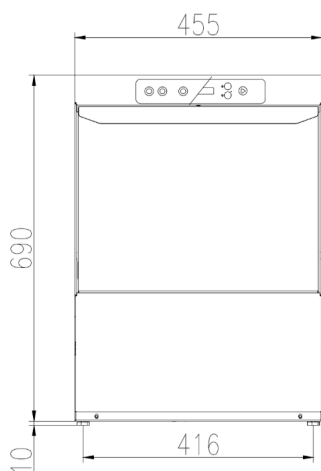
Wash temperature:	60°C
Cell dimensions - width:	405 mm
Cell dimensions - depth:	437 mm
Cell dimensions - height:	315 mm
Rinse temperature:	85 °C
External dimensions, Width:	455 mm
External dimensions, Depth:	550 mm
External dimensions, Height:	700 mm
Net weight:	38 kg
Shipping weight (gross):	43 kg
Shipping height:	850 mm
Shipping width:	540 mm
Shipping depth:	630 mm
Shipping volume:	0.29 m <sup>3</sup>
Baskets per hour*:	40 / 30 / 20 / 6

## Sustainability

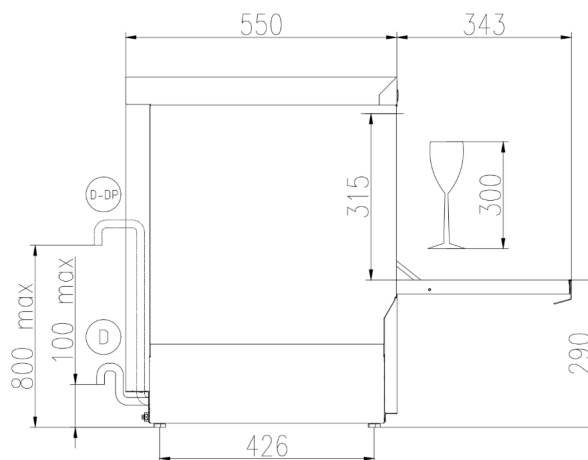
Noise level:	61 dBA
--------------	--------

# Installation drawings

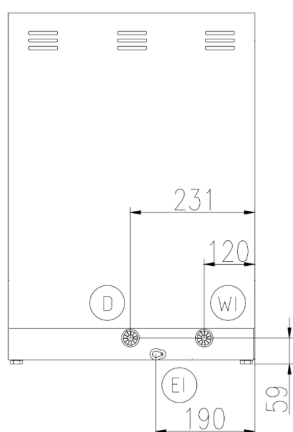
Front



Side



Rear side



CW11 = Cold Water inlet 1 (cleaning)

EI = Electrical inlet (power)

EO = Electrical Outlet

D = Drain

XD = Detergent connection

# Accessories

## Optional Accessories

PNC Code	Description
<b>Baskets</b>	
867039	Square basket for glasses, 400x400x1100mm
867047	Round basket for glasses, 400x180mm
867069	Inclination insert for glasses 400x400 mm
<b>Installation solutions</b>	
867085	Kit detergent dispenser for single skin NeoBlue (S) Glasswasher
<b>Other accessories</b>	
864473	ROUND BASKET SUPPORT FOR GLASSWASHER (S)
867044	Inclination insert for glasses, 400x180mm
867080	[NOT TRANSLATED]

## Recommended Detergents

PNC Code	Description
OS2092	C11 Detergent for dishwashers; one pack of 2 cans of 5lt
OS2093	C13 ECO Detergent for dishwashers; one pack of 2cans of 5lt
OS2094	C12 Rinse aid for dishwashers; one pack of 2 cans of 5lt
OS2281	C11 Detergent for dishwashers; 1 can of 20lt
OS2362	C30 Multipurpose descaler; one pack of 2 cans of 5lt
OS2904	C15 ECO Rinse aid for dishwashers; one pack of 2 cans of 5lt