

402187 (ETGWS1S)

Undercounter Glasswasher (S), 400x400mm rack, electronic, single skin with pressure boiler, rinse aid pump, 40 r/h, 1 phase, Schuko plug

What the OnE Connected App can do for you?



- **Connect:** Manage your undercounter dishwasher anytime with seamless Bluetooth connectivity.
- **Control:** Gain instant insights into consumptions and savings directly from your mobile.
- **Customize:** Choose the cycle that best fits your needs, or create a personalized one, to ensure spotless results every time.

Main Features

- Built-in pressure boiler designed to raise incoming water to a guaranteed minimum temperature of 82°C for sanitizing rinse. No external boiler is required.
- Washing system endowed with rotating washing arms, high powered wash pump and large capacity wash tank for professional washing.
- Maximum capacity of 40 racks per hour.
- Suitable to fit 400*400 mm racks.
- Simple operation control panel with digital display, led info lights; and color-coded main button to launch the washing cycles.
- Featured with n°4 washing cycle, 90 / 120 / 180 / 540 seconds, selectable by the display and customizable on site by service; to wash different kind of crockery.
- Built-in rinse aid dispenser with automatic chemical loading, for perfect result while minimizing service and maintenance needs.
- Equipped with electrical cable fitting schuko plug.
- Easy service access to all the main components from the front of the appliance, to fast on site operation.
- Wash tank with rounded corners, sloped towards the drain to prevent dirt build up provides fast drainage in only a few minutes and guaranteed water tight solution.



Construction

- Completely closed on the back by a cover plate.
- Structure, panels, cavity and door in stainless steel to long lasting.
- Insulated double skin counter-balanced door construction for silent and smooth operation. Counter-balance mechanism minimizes impact when opening and closing.
- Upper and lower screwed washing & rinsing arms and tank filters in composite material; are easy removable from the cavity to easy operation.
- Unit to feature rinse aid dispenser peristaltic pump.

Sustainability

- Clear water consumption of 2 liter/rack, the water of the rinsing phase is recirculated to enable washing.
- Low noise level of 61 db during operations.
- Eco stand-by energy management function, to reduce power usage on inactive period.

Included Accessories

PNC Code	Description	Quantity
864470	Square basket for glasses 400x400x150mm	1
867048	Insert for 12 saucers, 290X90x75mm	1
867049	Square cutlery container, 89x113x113mm	1

Optional Accessories

PNC Code	Description
Baskets	
867039	Square basket for glasses, 400x400x1100mm
867047	Round basket for glasses, 400x180mm
867069	Inclination insert for glasses 400x400 mm
Installation solutions	
864496	Kit wash tank filters in composite material (1 central support and 2 filters) for single skin NeoBlue (S) Glasswasher
864497	Drain pump kit for single skin NeoBlue (S) Glasswasher
867085	Kit detergent dispenser for single skin NeoBlue (S) Glasswasher
Other accessories	
864473	ROUND BASKET SUPPORT FOR GLASSWASHER (S)
867044	Inclination insert for glasses, 400x180mm
867080	[NOT TRANSLATED]



Recommended Detergents

PNC Code	Description
0S2092	C11 Detergent for dishwashers; one pack of 2 cans of 5lt
0S2093	C13 ECO Detergent for dishwashers; one pack of 2cans of 5lt
0S2094	C12 Rinse aid for dishwashers; one pack of 2 cans of 5lt
0S2281	C11 Detergent for dishwashers; 1 can of 20lt
0S2362	C30 Multipurpose descaler; one pack of 2 cans of 5lt
0S2904	C15 ECO Rinse aid for dishwashers; one pack of 2 cans of 5lt



Technical specifications

Electric

Supply voltage:	220-240 V/1 ph/50 Hz
Default Installed Power:	2.7 kW
Boiler heating elements:	2.7 kW
Tank heating elements:	2.4 kW
Wash pump size:	0.2 kW

Water:

Water supply temperature*:	10-50 °C
Drain line size:	29mm
Washing tank capacity (lt):	12
Water consumption per cycle (lt):	0 / 2
Boiler Capacity (lt):	3
Pressure, bar min/max:	2-5 bar
Incoming water line size:	

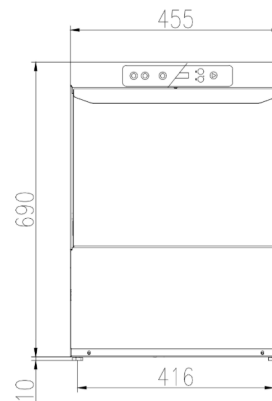
Key Information:

Wash temperature:	60°C
Cell dimensions - width:	405 mm
Cell dimensions - depth:	437 mm
Cell dimensions - height:	315 mm
Rinse temperature:	85 °C
External dimensions, Width:	455 mm
External dimensions, Depth:	550 mm
External dimensions, Height:	700 mm
Net weight:	36.5 kg
Shipping weight (gross):	40 kg
Shipping height:	870 mm
Shipping width:	550 mm
Shipping depth:	640 mm
Shipping volume:	0.31 m ³
Baskets per hour*:	40 / 30 / 20 / 6

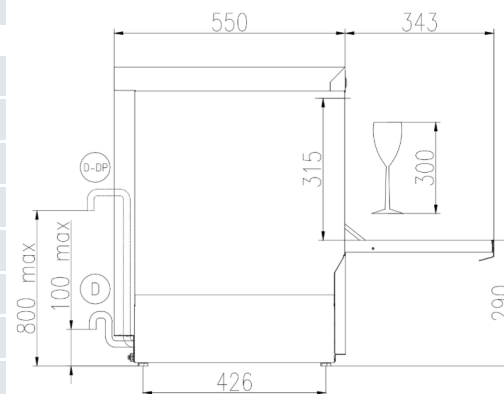
Sustainability

Noise level:	61 dBA
--------------	--------

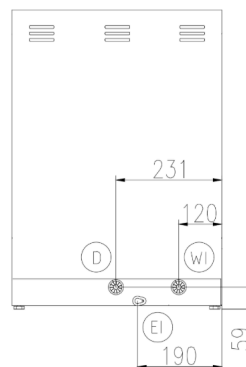
Front



Side



Rear side



CW11 = Cold Water inlet 1 (cleaning)

D = Drain

EI = Electrical inlet (power)

XD = Detergent connection

EO = Electrical Outlet



Find out more:
ISO Certificates
Electrolux Professional Recognitions

The company reserves the right to make modifications to the products without prior notice. All information correct at time of printing.

2026/06/01

4/4