

#### 402188 (ETGWSG1S)

Undercounter Glasswasher (S), 400x400mm rack, electronic, single skin with pressure boiler, rinse aid+detergent pumps, drain pump, tank filters, 40 r/h, 1 phase, Schuko plug

#### What the OnE Connected App can do for you?



- **Connect:** Manage your undercounter dishwasher anytime with seamless Bluetooth connectivity.
- **Control:** Gain instant insights into consumptions and savings directly from your mobile.
- **Customize:** Choose the cycle that best fits your needs, or create a personalized one, to ensure spotless results every time.

## Main Features

- Built-in pressure boiler designed to raise incoming water to a guaranteed minimum temperature of 82°C for sanitizing rinse. No external boiler is required.
- Washing system endowed with rotating washing arms, high powered wash pump and large capacity wash tank for professional washing.
- Maximum capacity of 40 racks per hour.
- Suitable to fit 400\*400 mm racks.
- Simple operation control panel with digital display, led info lights; and color-coded main button to launch the washing cycles.
- Featured with n°4 washing cycle, 90 / 120 / 180 / 540 seconds, selectable by the display and customizable on site by service; to wash different kind of crockery.
- Built-in rinse aid and detergent dispenser with automatic chemicals loading, for perfect result while minimizing service and maintenance needs.
- Equipped with drain pump, to easily adjust the discharge height in case of wall plumbing; avoiding wastewater returns.
- Equipped with electrical cable fitting schuko plug.
- Easy service access to all the main components from the front of the appliance, to fast on site operation.
- Wash tank with rounded corners, sloped towards the drain to prevent dirt build up provides fast drainage in only a few minutes and guaranteed water tight solution.



## Construction

- Completely closed on the back by a cover plate.
- Structure, panels, cavity and door in stainless steel to long lasting.
- Insulated double skin counter-balanced door construction for silent and smooth operation. Counter-balance mechanism minimizes impact when opening and closing.
- Upper and lower screwed washing & rinsing arms and tank filters in composite material; are easy removable from the cavity to easy operation.
- Unit to feature rinse aid and detergent dispenser peristaltic pumps.

## Sustainability

- Clear water consumption of 2 liter/rack, the water of the rinsing phase is recirculated to enable washing.
- Low noise level of 61 db during operations.
- Eco stand-by energy management function, to reduce power usage on inactive period.

## Included Accessories

PNC Code	Description	Quantity
864470	Square basket for glasses 400x400x150mm	1
867048	Insert for 12 saucers, 290X90x75mm	1
867049	Square cutlery container, 89x113x113mm	1

## Optional Accessories

PNC Code	Description
<b>Baskets</b>	
867039	Square basket for glasses, 400x400x1100mm
867047	Round basket for glasses, 400x180mm
867069	Inclination insert for glasses 400x400 mm
<b>Installation solutions</b>	
864496	Kit wash tank filters in composite material (1 central support and 2 filters) for single skin NeoBlue (S) Glasswasher
864497	Drain pump kit for single skin NeoBlue (S) Glasswasher
867085	Kit detergent dispenser for single skin NeoBlue (S) Glasswasher
<b>Other accessories</b>	
864473	ROUND BASKET SUPPORT FOR GLASSWASHER (S)
867044	Inclination insert for glasses, 400x180mm
867080	[NOT TRANSLATED]



## Recommended Detergents

PNC Code	Description
0S2092	C11 Detergent for dishwashers; one pack of 2 cans of 5lt
0S2093	C13 ECO Detergent for dishwashers; one pack of 2cans of 5lt
0S2094	C12 Rinse aid for dishwashers; one pack of 2 cans of 5lt
0S2281	C11 Detergent for dishwashers; 1 can of 20lt
0S2362	C30 Multipurpose descaler; one pack of 2 cans of 5lt
0S2904	C15 ECO Rinse aid for dishwashers; one pack of 2 cans of 5lt



# Technical specifications

## Electric

Supply voltage:	220-240 V/1 ph/50 Hz
Default Installed Power:	2.7 kW
Boiler heating elements:	2.7 kW
Tank heating elements:	2.4 kW
Wash pump size:	0.2 kW

## Water:

Water supply temperature*:	10-50 °C
Drain line size:	29mm
Washing tank capacity (lt):	12
Water consumption per cycle (lt):	0 / 2
Boiler Capacity (lt):	3
Pressure, bar min/max:	2-5 bar
Incoming water line size:	

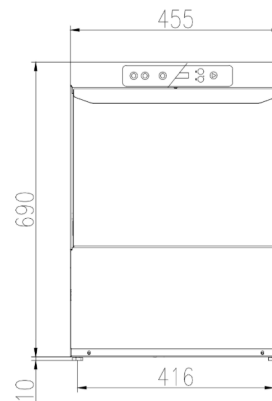
## Key Information:

Wash temperature:	60°C
Cell dimensions - width:	405 mm
Cell dimensions - depth:	437 mm
Cell dimensions - height:	315 mm
Rinse temperature:	85 °C
External dimensions, Width:	455 mm
External dimensions, Depth:	550 mm
External dimensions, Height:	700 mm
Net weight:	38 kg
Shipping weight:	42 kg
Shipping height:	850 mm
Shipping width:	540 mm
Shipping depth:	630 mm
Shipping volume:	0.29 m <sup>3</sup>
Baskets per hour*:	40 / 30 / 20 / 6

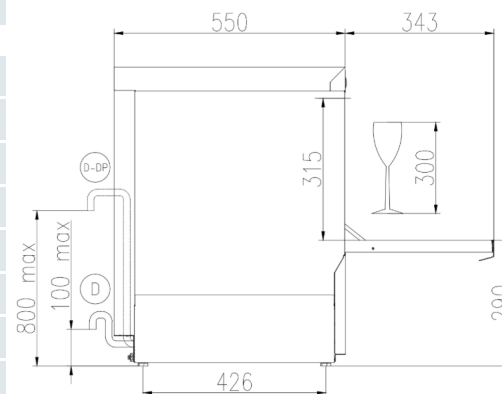
## Sustainability

Noise level:	61 dBA
--------------	--------

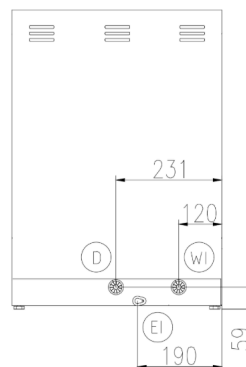
## Front



## Side



## Rear side



CWI1 = Cold Water inlet 1 (cleaning)

D = Drain

EI = Electrical inlet (power)

XD = Detergent connection

EO = Electrical Outlet



Find out more:  
ISO Certificates  
Electrolux Professional Recognitions

The company reserves the right to make modifications to the products without prior notice. All information correct at time of printing.

16/02/2026

4/4