

**600193 (BE5BYA)**

5 lt Planetary Mixer, bowl detection device, electronic speed variation. Equipped with stainless steel spiral hook, paddle, whisk and K type accessory hub. Equipped with highly resistant safety screen - BPA free

**Description**

Suitable for all kneading, blending and whipping operations. Aluminium body and metal base for complete stability. 5 litre capacity 18/10 (AISI 304) stainless steel bowl. Powerful asynchronous motor with electronic speed variation from 20 to 220 rpm (planetary movement). Removable and dismantled solid safety screen - made of a bisphenol-A free (BPA) copolyester - activates the raising and lowering of the bowl. Bowl detection device allows the mixer to switch on only when the bowl and the safety screen are properly installed and positioned together.

Supplied with 3 stainless steel dw safe tools: spiral hook, paddle and whisk.

Equipped with accessory drive hub type K (accessories are not included).

**Main Features**

- Delivered with: - Spiral Hook, Paddle, Wire Whisk and Mixing Bowl for 5 lt. All made in stainless steel and dishwasher safe - Accessory drive hub (accessories are not included)
- Electronic speed variator.
- Removable safety screen activates the raising and lowering of the bowl.
- Safety device will automatically stop the machine when the bowl is lowered.
- Professional compact table top beater mixer for intensive kneading, mixing and whipping.
- Maximum capacity (flour, with 60% of hydration) 1.5 kg, suitable for 10-100 meals per service.
- Tools shape and size perfectly adapt to the bowl for uniform mixing of even small quantities.
- Ergonomic and reliable knob to select the speed adjusting to the tool and mixture hardness.
- Bowl detection device allows the mixer to switch on only when the bowl and the solid safety screen are properly installed and positioned together.



## Construction

---

- 304 AISI stainless steel bowl - 5 lt capacity.
- Compact and portable design.
- Planetary movement based on self lubricating gears, eliminating any risk of leaks.
- Asynchronous motor with high start-up torque.
- Water protected planetary system (IP55 electrical controls, IP34 appliance overall).
- Variable speed from 20 to 220 rpm (planetary movement), to adjust to the selected tool and mixture hardness.
- Transparent solid safety screen made of Eastman Tritan™ copolyester BPA free, impact resistant and stays clear and durable after several dishwashing cycle.  
Eastman&Tritan are trademarks for Eastman Chemical Company.
- Variable speed rotation of the tools from 67 rpm to 740 rpm.
- Sturdy metal accessory hub able to withstand heavy usage.

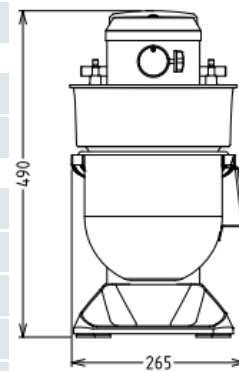


# Technical specifications

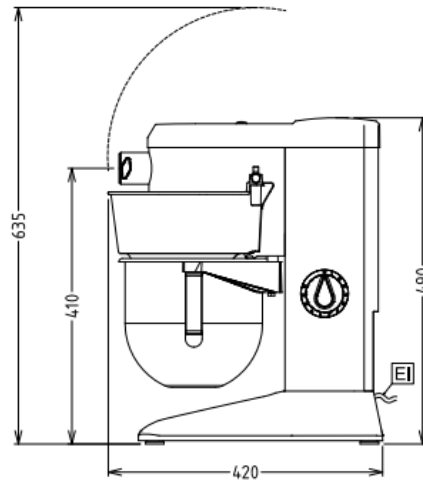
## Electric

Supply voltage:	200-240 V/1N ph/50/60 Hz
Electrical power max.:	0.45 kW
Capacity:	
Performance (up to):	1.5 kg/Cycle
Capacity:	5.5 liters
Key Information:	
External dimensions, Width:	266 mm
External dimensions, Depth:	416 mm
External dimensions, Height:	487 mm
Shipping weight (gross):	19 kg
Net weight (kg):	17
Cold water paste:	1.5 kg with Spiral hook
Egg whites:	10 with Whisk

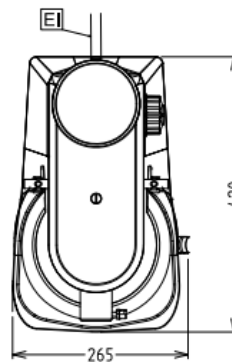
Front



Side



Top



EI = Electrical inlet (power)



Find out more:  
[ISO Certificates](#)  
[Electrolux Professional Recognitions](#)

The company reserves the right to make modifications to the products without prior notice. All information correct at time of printing.

2026/05/11

3/4

# Technical specifications

## Included Accessories

PNC Code	Description	Quantity
653295	Bowl 5 lt for BE5	1
653756	Stainless steel paddle 5 lt	1
653757	Stainless steel whisk 5 lt	1
653765	Stainless steel spiral hook 5 lt	1

## Optional Accessories

PNC Code	Description
<b>Bowls/tools</b>	
653295	Bowl 5 lt for BE5
653756	Stainless steel paddle 5 lt
653757	Stainless steel whisk 5 lt
653765	Stainless steel spiral hook 5 lt
653782	Closed splash guard for BE5/8 with accessory hub
<b>Hub accessories</b>	
653043	60 mm meatmincer for attachment type K (12 mm square hub) and 1 disc
653044	3 discs (3-4,5-8 mm) for meatmincer
653296	Pasta kit accessory (lasagne 142,5 mm)
653298	Pasta kit accessory (spaghetti 2 mm)
653300	Pasta kit (lasagne,tagliatelle,tagliolini)



Find out more:  
[ISO Certificates](#)  
[Electrolux Professional Recognitions](#)

The company reserves the right to make modifications to the products without prior notice. All information correct at time of printing.

2026/05/11

4/4