


600470 (TRSY1VA)

Vegetable Slicer, 1 speed 340 rpm, 500 W. Lever operated hopper in stainless steel for intense use - Australia

Main Features

- Base inclined at 20° to provide easy loading and unloading.
- Complete and wide selection of blades and grids available (diam. 205 mm).
- Automatic restart of the machine with the 3/4 moon shaped pusher in position.
- Continuous feed model.
- Hopper easily removed for cleaning.
- Magnetic safety system and motor brake. Prevents machine from running when lever swings away or is open.
- Vegetable slicer with slicing, grating, shredding (julienne) as well as dicing and French fries cutting capability.
- Pulse function for precise cutting.
- High discharge zone permits the use of deep GN containers (up to 20cm).
- All parts in contact with food are removable without the use of tools, stainless steel hopper, stainless steel lever and cutting chamber are dishwasher safe.
- Ergonomically designed for right and left-handed users, frontal working and to reduce working space around the machine.
- Suitable for 100-400 meals for table service and up to 800 meals for catering service.
- Delivered with: - All stainless steel vegetable prep attachment with a lever-integrated long vegetable hopper (55,5mm diameter) and a large round hopper (215cm²)

Construction

- Compact and portable design.
- Asynchronous silent industrial motor for heavy duty and longer life.
- Power: 500 W - single or three-phase.
- Feeding arm and hopper are made entirely in stainless steel. Aluminum motor housing.
- 1 speed - 340 rpm - for precise cutting, slicing and dicing.
- All blades (available on request) are made in stainless steel and dishwasher safe.
- Improved ventilation system to manage smoothly heavy duty use.
- Reinforced basement and feet to withstand the continuous movements of the unit
- Improved fixing of long vegetable hopper pusher.

Included Accessories

PNC Code	Description	Quantity
653772	Ejector disc for vegetable slicer TRS/TRK/TR210	1



Optional Accessories

PNC Code	Description
Discs/grids 205mm	
650077	Stainless steel shredding disc with S-blades 4x4 mm
650078	Stainless steel shredding disc with S-blades 6x6 mm (can also be used for French fries)
650079	Stainless steel shredding disc with S-blades 8x8 mm (can also be used for French fries)
650080	Stainless steel shredding disc with S-blades 10x10 mm (can also be used for French fries)
650081	Stainless steel pressing/slicing disc with S-blades 0,6 mm (can be used for slicing or combined with grids)
650082	Stainless steel pressing/slicing disc with S-blades 1 mm (can be used for slicing or combined with grids)
650083	Stainless steel pressing/slicing disc with S-blades 2 mm (can be used for slicing or combined with grids)
650084	Stainless steel pressing/slicing disc with S-blades 3 mm (can be used for slicing or combined with grids)
650085	Stainless steel pressing/slicing disc with S-blades 4 mm (can be used for slicing or combined with grids)
650086	Stainless steel pressing/slicing disc with S-blades 5 mm (can be used for slicing or combined with grids)
650087	Stainless steel pressing/slicing disc with S-blades 6 mm (can be used for slicing or combined with grids)
650088	Stainless steel pressing/slicing disc with S-blades 8 mm (can be used for slicing or combined with grids)
650089	Stainless steel pressing/slicing disc with corrugated S-blades 2 mm (can be used for slicing or combined with grids)
650090	Stainless steel pressing/slicing disc with corrugated S-blades 3 mm (can be used for slicing or combined with grids)
650091	Stainless steel pressing/slicing disc with corrugated S-blades 6 mm (can be used for slicing or combined with grids)
650092	Bistrot Pack-set stainless steel discs (2mm and 5mm slicing pressing disc, 2mm grating disc)
650107	Set of 3 stainless steel discs for Pizza (2mm and 4mm pressing/slicing discs with S-blades, 7mm grating disc)
650110	Cleaning tool for 5-8-10 mm dicing grids
650112	Dicing kit 10x10x10mm, diam. 205mm (10mm aluminum slicing pressing disc, 10mm grid and grid cleaning tool)
650113	Gastronomy Pack-set discs (2mm, 5mm and 10mm slicing pressing discs, 2mm grating disc, 4x4mm shredding disc, 10x10mm dicing grid) and grid cleaning tool
650114	Set of 7 discs (2mm, 5mm and 10mm slicing pressing discs, 2mm and 7mm grating discs, 4x4mm shredding disc, 10x10mm dicing grid) and grid cleaning tool
650115	Aluminum pressing/slicing disc with straight blades 10 mm - for dicing
650116	Aluminum pressing/slicing disc with straight blades 8 mm - for dicing
650158	Stainless steel shredding disc with S-blades 2x8 mm
650159	Stainless steel shredding disc with S-blades 2x10 mm
650160	Stainless steel pressing/slicing disc with S-blades 10 mm (can be used for slicing or combined with grids)
650161	Stainless steel pressing/slicing disc with S-blades 12 mm (can be used for slicing or combined with grids)
650162	Stainless steel pressing/slicing disc with corrugated S-blades 8 mm (can be used for slicing or combined with grids)
650164	Stainless steel pressing/slicing disc with corrugated S-blades 10 mm (can be used for slicing or combined with grids)
650165	Stainless steel pressing/slicing disc with S-blades 13 mm (can be used for slicing or combined with grids)
650166	Stainless steel shredding disc with S-blades 2x2 mm
650167	Stainless steel shredding disc with S-blades 3x3 mm
650178	Set of 4 stainless steel discs (2mm and 5mm slicing pressing discs, 2mm and 7mm grating discs)
653566	Dicing grid 5x5 mm



PNC Code	Description
Discs/grids 205mm	
653567	Dicing grid 8x8 mm
653568	Dicing grid 10x10 mm
653569	Dicing grid 12x12 mm
653570	Dicing grid 20x20 mm
653571	Grid for chips 6x6 mm
653572	Grid for chips 8x8 mm
653573	Grid for chips 10x10 mm
653632	Support for 1 disc, diam. 175mm and 205mm
653773	Stainless steel grating disc 2 mm
653774	Stainless steel grating disc 3 mm
653775	Stainless steel grating disc 4 mm
653776	Stainless steel grating disc 7 mm
653777	Stainless steel grating disc 9 mm
653778	Stainless steel grating disc for knoedeln and bread
653779	Stainless steel grating disc for parmesan and bread
653871	Dicing kit 8x8x8mm, diam. 205mm (8mm aluminum slicing pressing disc, 8mm grid and grid cleaning tool)
Trolleys/tables	
653283	Stainless steel work table with folding shelves and disk rack for TRK and TRS table top models

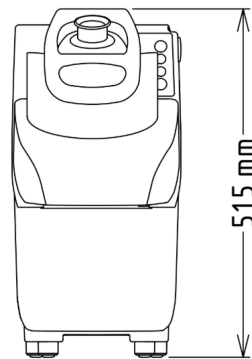


Technical specifications

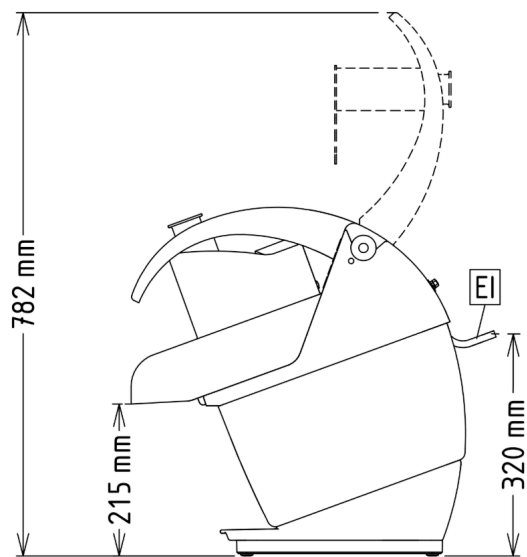
Electric

Supply voltage:	220-240 V/1N ph/50 Hz
Electrical power max.:	0.5 kW
Capacity:	
Performance (up to):	550 kg/hour
Key Information:	
External dimensions, Width:	252 mm
External dimensions, Depth:	500 mm
External dimensions, Height:	515 mm
Shipping weight (gross):	23 kg

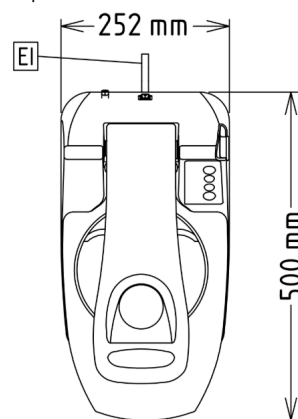
Front



Side



Top



EI = Electrical inlet (power)



Find out more:
ISO Certificates
[Electrolux Professional Recognitions](#)

The company reserves the right to make modifications to the products without prior notice. All information correct at time of printing.

2026/06/09

4/4