

**602315 (LVA100N)**

Vegetable Washer and Dryer, manual/automatic cycles - load 3 to 15kg - washing phase 60 rpm, drying phase 320rpm

Main Features

- Easy to clean, efficient filter system.
- Electromagnetic device stops the machine in 2 seconds if lid is lifted during operation.
- Immersion wash or spray wash (tub filled at low level).
- Lid microswitch prevents the appliance from operating with the lid open.
- Two turbulence levels (soft for light vegetables, and strong for heavy vegetables).
- Supplied with: -AISI 304 stainless steel basket with small square roundish holes (5x5 mm).
- Manual operating mode:
operator can set the time for each step and the pump speed. Continuous cycle is also possible, selecting "cont" mode
- Automatic or manual draining function, depending on cycle chosen.
- Possibility to activate the use of a sanitizing liquid during automatic wash cycles.
- Automatic operating mode:
[-] 3 washing cycles with or without automatic sanitizing function (with the possibility to set pump speed and to exclude the spinning in case of heavy vegetables).
[-] well self-cleaning cycle: to rinse and sanitize the interior. Before starting this cycle, use the included water shower to remove possible dirt residues inside.
- There are 3 programs (cycles), here is the water consumption for each of them.
Cycle 1: requires 38 litres water and only 13 litres of fresh water for each subsequent cycle. Usage of sanitizing agent is recommended.
Cycle 2: requires 30 litres water
Cycle 3: requires 90 litres water with full immersion wash or 50 liters with semi-immersion.
- Load per cycle: 2-3 kg (light vegetables); max 12-15 kg heavy vegetables (excluding spin drying).

Construction

- Two speeds pump for immersion wash and spray wash.
- Bearing frame, lid and extractable basket in AISI 304 stainless steel. External panelling in AISI 304/430.
- Spin rotation speed of 320 rpm.



Included Accessories

PNC Code	Description	Quantity
653883	Basket with lid, 5x5mm holes	1

Optional Accessories

PNC Code	Description
Baskets	
653883	Basket with lid, 5x5mm holes



Technical specifications

Electric

Supply voltage: 220-240 V/1N ph/50/60 Hz

Key Information:

External dimensions, Width: 700 mm

External dimensions, Depth: 750 mm

External dimensions, Height: 1000 mm

Shipping weight (gross): 125 kg

Load per cycle - light vegetables: 2-3 kg leafy vegetables

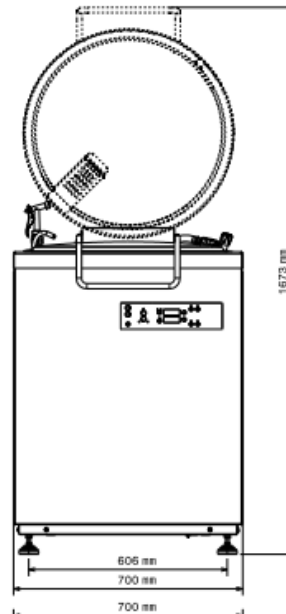
Load per cycle - heavy vegetables: 12-15 kg heavy vegetables (no spinning)

Rotation Speed: 320 RPM

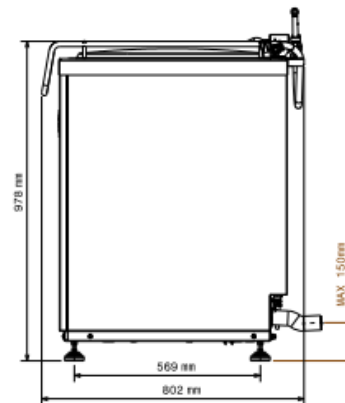
ISO Certificates

Type reference/certification group: LVA

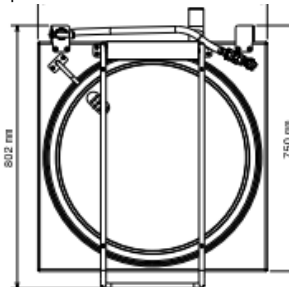
Front



Side



Top



CW11 = Cold Water inlet 1 (cleaning)

D = Drain

EI = Electrical inlet (power)



Find out more:
ISO Certificates
Electrolux Professional Recognitions

The company reserves the right to make modifications to the products without prior notice. All information correct at time of printing.

2026/05/21

3/3