


**603339 (T10E1C)**

10 kg Vegetable Peeler. Abrasive Plate and abrasive cylinder

**603340 (T10E324C)**

10 kg Vegetable Peeler. Abrasive Plate and abrasive cylinder

## Main Features

- Magnetic detectors will stop the machine from operating when the lid and/or door are opened.
- Suitable for 50-200 meals per service.
- Peels are reduced to small pieces to facilitate drainage process.
- Pulse function to control the unloading operation.
- Removable rotating plate covered in very resistant abrasive material (silicon carbide).
- Removable water inlet, clipped to the cover, designed to serve as a spray to clean the machine.
- Supplied with: - abrasive plate and cylinder
- Timer with countdown display.
- Transparent lid in damage-resistant plastic material allows visibility during peeling cycle.

## Construction

- Complete stainless steel construction.
- IP55 waterproof touch button control panel.
- Transparent BPA free cover incorporates a magnetic safety system which stops the machine if lid is not properly closed.

## Included Accessories

PNC Code	Description	Quantity
653203	Abrasive plate for T10 or T15	1



## Optional Accessories

PNC Code	Description
<b>Baskets</b>	
653208	Drying basket for T10
<b>Plates</b>	
653203	Abrasive plate for T10 or T15
<b>Trolleys/tables</b>	
653783	Filter table with sliding shelf, pre-assembled
653784	Filter table with sliding shelf



# Technical specifications

603339

603340

Front

## Electric

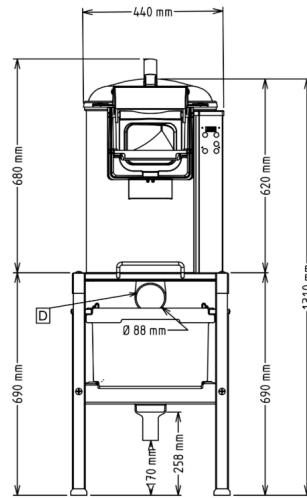
Supply voltage:	220-240 V/1N ph/50/60 Hz	200-240/380- 440 V/3 ph/ 50/60 Hz
Electrical power max.:	0.37 kW	0.37 kW

## Capacity:

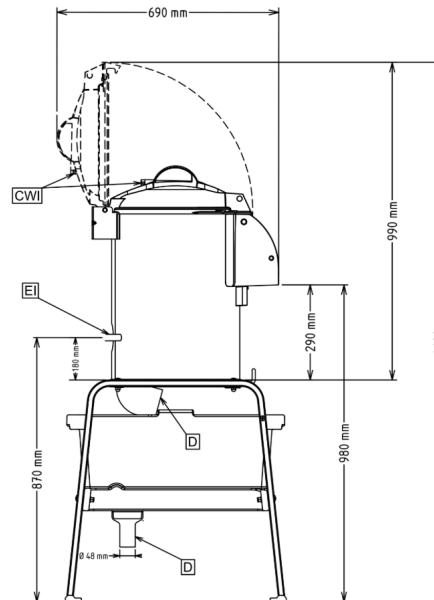
Performance (up to):	160 kg/hour	160 kg/hour
Capacity:	10 liters	10 liters

## Key Information:

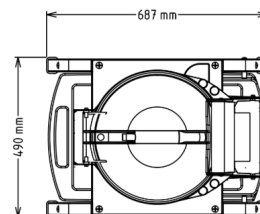
External dimensions, Width:	440 mm	440 mm
External dimensions, Depth:	690 mm	690 mm
External dimensions, Height:	680 mm	680 mm
Shipping weight (gross):	48 kg	47 kg



Side



Top



CWI1 = Cold Water inlet 1 (cleaning)

D = Drain

EI = Electrical inlet (power)



Find out more:  
ISO Certificates  
Electrolux Professional Recognitions

The company reserves the right to make modifications to the products without prior notice. All information correct at time of printing.

2026/05/11

3/3