



**603341 (T15E1C)**

15 kg Vegetable Peeler. Abrasive Plate and abrasive cylinder

**603342 (T15E324C)**

15 kg Vegetable Peeler. Abrasive Plate and abrasive cylinder

## Main Features

- Magnetic detectors will stop the machine from operating when the lid and/or door are opened.
- Suitable for 80-300 meals per service.
- Peels are reduced to small pieces to facilitate drainage process.
- Pulse function to control the unloading operation.
- Removable rotating plate covered in very resistant abrasive material (silicon carbide).
- Removable water inlet, clipped to the cover, designed to serve as a spray to clean the machine.
- Supplied with: - abrasive plate and cylinder
- Timer with countdown display.
- Transparent lid in damage-resistant plastic material allows visibility during peeling cycle.

## Construction

- Complete stainless steel construction.
- IP55 waterproof touch button control panel.
- Transparent BPA free cover incorporates a magnetic safety system which stops the machine if lid is not properly closed.

## Included Accessories

PNC Code	Description	Quantity
653203	Abrasive plate for T10 or T15	1



## Optional Accessories

PNC Code	Description
<b>Baskets</b>	
653209	Drying basket for T15
<b>Plates</b>	
653203	Abrasive plate for T10 or T15
<b>Trolleys/tables</b>	
653783	Filter table with sliding shelf, pre-assembled
653784	Filter table with sliding shelf



# Technical specifications

603341 603342 Front

## Electric

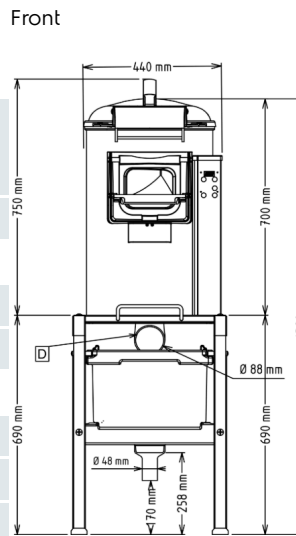
Supply voltage:	220-240 V/1N ph/50/60 Hz	200-240/380- 440 V/3 ph/ 50/60 Hz
Electrical power max.:	0.37 kW	0.37 kW

## Capacity:

Performance (up to):	240 kg/hour	240 kg/hour
Capacity:	15 liters	15 liters

## Key Information:

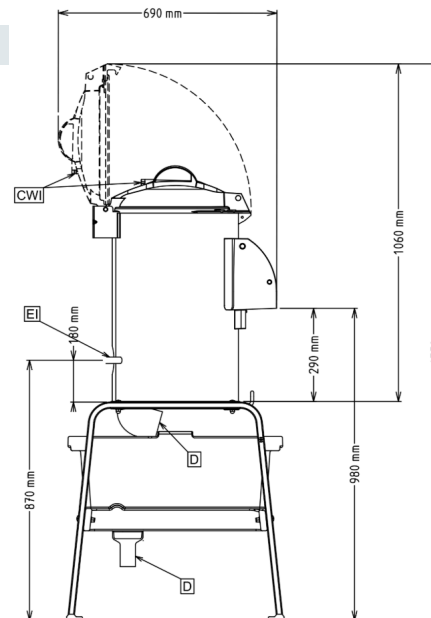
External dimensions, Width:	440 mm	440 mm
External dimensions, Depth:	690 mm	690 mm
External dimensions, Height:	750 mm	750 mm
Shipping weight (gross):	49 kg	48 kg



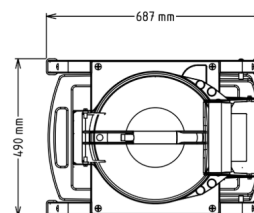
## ISO Certificates

Type reference/certification group:	T15SM	T15ST
-------------------------------------	-------	-------

Side



Top



CWI1 = Cold Water inlet 1 (cleaning)

D = Drain

EI = Electrical inlet (power)



Find out more:  
ISO Certificates  
Electrolux Professional Recognitions

The company reserves the right to make modifications to the products without prior notice. All information correct at time of printing.

2026/05/11

3/3