



### 603938 (HSP3RPFUS)

Speedelight with flexible top plate, removable flat teflon plate - 240V - US

## Main Features

- It combines 3 cooking technologies: contact, infrared radiation and microwaves to provide perfectly cooked food, heated to the core.
- Self adjusting ribbed upper plate to heat food adapting to its thickness.
- The Energy Saving Mode automatically switches to stand-by after an amount of time settled by the operator (from 1 to 60 minutes).
- Delivered with USB port and wi-fi connection to optimize workflows allowing local and remote interaction (temperatures, countdowns, warnings).
- Electronic control with digital 4.3" LED display with adjustable brightness.
- Countdown display and buzzer with adjustable volume at the end of the cycle.
- 8 programs selectable on the display. The 8 programs can be adjusted by the user. The programmable parameters are: - top plate temperature - bottom plate temperature - total duration of each cycle - duration and distribution of microwaves within each cycle.
- Automatic mechanical lid holding and opening system controlled.
- Ergonomic handle for easy movement of the lid.
- ETL safety approved, complies with UL 923 and CAN/CSA 22.2 standards.
- ETL sanitation approved, complies with NSF/ANSI 4 standard.
- Speedelight is a hoodless equipment EPA 202 certified. Not required to be under a hood type 1.
- Non-stick pressed tray to be used during all cooking cycles for maximum cleanability, meeting food contact requirements.

## Construction

- 2 temperature probes for an independent control of the top and bottom plate temperature.
- Smooth 4 mm thick quartz glass bottom cooking surface (250 x 250 mm).
- Independent temperature setting of the top and bottom plates from 100 to 250 °C.
- Automatic lifting of the lid at the end of the cooking cycle via mechanical spring.
- Lid covers, handle and side panels in high-grade reinforced composite material.
- 800W heating element on the top plate.
- 800W electrical armored heating element on the bottom plate.
- 2 x 1050W magnetrons for microwave.
- Front air inlet and back outlet for efficient cooling ventilation allows easy air filters removal and side by side installation.
- Aluminum smooth contact plate 215 x 215 mm (8 7/16" x 8 7/16") treated with a special non-stick coating.



## User Interface & Data Management

---

- Connectivity ready for real time access to connected appliances from remote and data monitoring (requires optional accessory - contact the Company for more details).





# A focus on sustainability

## Certifications & Recognitions



Product has been tested and meets established safety standards.



Product acceptable for use in a commercial food establishment and meets applicable construction, performance, and material requirements.



Find out more:  
[ISO Certificates](#)  
[Electrolux Professional Recognitions](#)

The company reserves the right to make modifications to the products without prior notice. All information correct at time of printing.

2026/05/11

3/6

# Technical specifications

---

## Electric

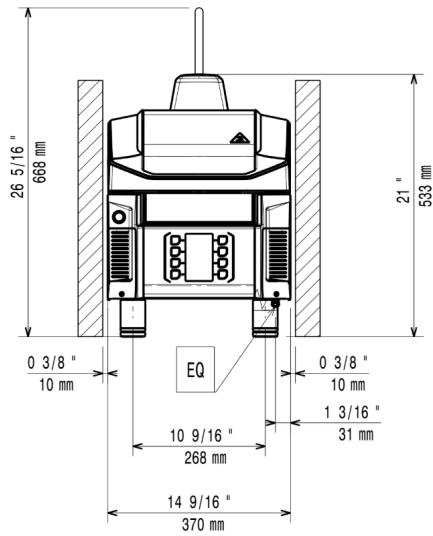
Supply voltage:	240 V/1 ph/60 Hz
Rated amps:	23 A
Total Watts:	5 kW
Plug type:	NEMA 6 -30

## Key Information:

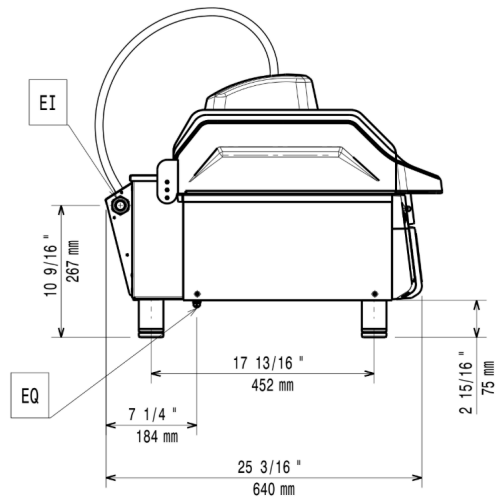
Cooking surface (WxD)	250 x 250 mm
External dimensions, Width:	370 mm
External dimensions, Depth:	683 mm
External dimensions, Height:	619 mm
Net weight:	47 kg
Shipping weight (gross):	58 kg
Shipping height:	710 mm
Shipping width:	450 mm
Shipping depth:	760 mm
Shipping volume:	0.24 m <sup>3</sup>

# Installation drawings

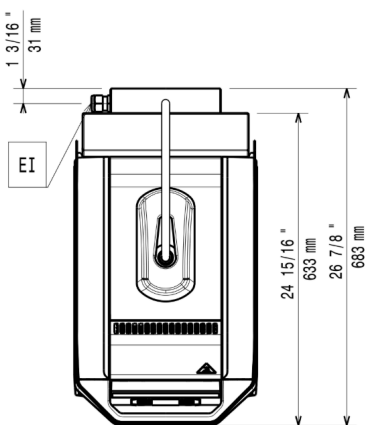
Front



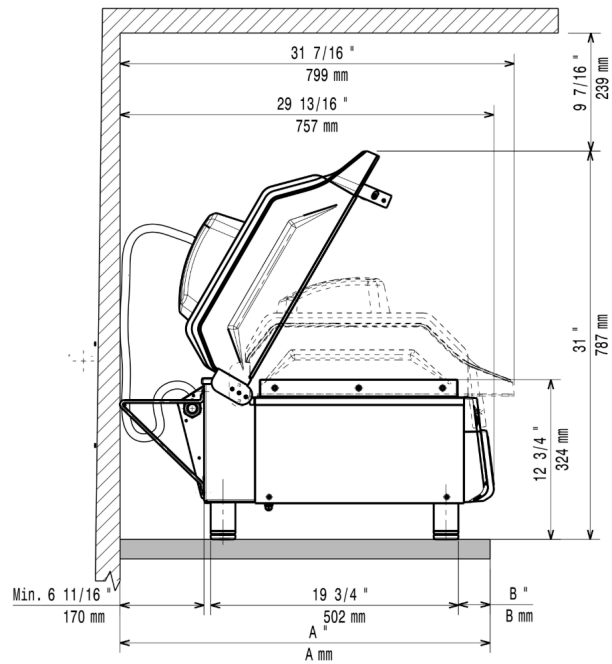
Side



Top



Distances



EI = Electrical inlet (power)

EO = Electrical Outlet

# Accessories

## Included Accessories

PNC Code	Description	Quantity
653527	Glass saver - silicone protective mat for glass ceramic plate	1
653623	Cleaning brush	1
653625	Spatula	1
653791	4 stainless steel feet - Height = 76 mm	1
653800	Spacer stop kit for rear ventilation	1
653802	Pressed non-stick tray	1
653803	Brush with nylon bristles	1
653804	Brush with brass bristles	1

## Optional Accessories

PNC Code	Description
<b>Cleaning solutions</b>	
653527	Glass saver - silicone protective mat for glass ceramic plate
653623	Cleaning brush
653625	Spatula
653803	Brush with nylon bristles
653804	Brush with brass bristles
<b>Containers, trays and grids</b>	
653790	Removable flat teflon plate
653802	Pressed non-stick tray
<b>Feet, wheels and ramps</b>	
653792	4 rubber feet - Height = 26 mm
653793	4 rubber feet - Height = 40 mm
653806	[NOT TRANSLATED]
<b>Installation solutions</b>	
653800	Spacer stop kit for rear ventilation

## Recommended Detergents

PNC Code	Description
OS2292	C41 HI-TEMP RAPID DEGREASER, 1 pack of six 1 lt bottles (trigger incl.)
OS2881	S01 STAINLESS STEEL SURFACE POLISHER; 6 BOTTLES X 750ML C/T
OS2882	S02 Degreaser for ovens and SpeedDelight. Specific for cleaning the cooking chambers of GourmeXpress and SpeeDelight. Active up to a maximum of 50°C Complete with spray bottle Pack of 6 750ml bottles
OS2883	S03 ALCOHOL BASE DETERGENT; 6 BOTTLES X 750ML; ADR&IMDG&IATA Limited Quantity
OS2884	S04 GLASSES & HARD SURFACES CLEANERS; 6 BOTTLES X 750ML