



603972 (HSG3RPR60)

SpeedDelight with flexible top plate, removable ribbed teflon plate - 200V/3/60Hz - Japan

Main Features

- It combines 3 cooking technologies: contact, infrared radiation and microwaves to provide perfectly cooked food, heated to the core.
- Self adjusting ribbed upper plate to heat food adapting to its thickness.
- The Energy Saving Mode automatically switches to stand-by after an amount of time settled by the operator (from 1 to 60 minutes).
- Delivered with USB port and wi-fi connection to optimize workflows allowing local and remote interaction (temperatures, countdowns, warnings).
- Electronic control with digital 4.3" LED display with adjustable brightness.
- Countdown display and buzzer with adjustable volume at the end of the cycle.
- 8 programs selectable on the display. The 8 programs can be adjusted by the user. The programmable parameters are: - top plate temperature - bottom plate temperature - total duration of each cycle - duration and distribution of microwaves within each cycle.
- Automatic mechanical lid holding and opening system controlled.
- Ergonomic handle for easy movement of the lid.
- Non-stick pressed tray to be used during all cooking cycles for maximum cleanability, meeting food contact requirements.

Construction

- 2 temperature probes for an independent control of the top and bottom plate temperature.
- Aluminum ribbed top contact plate (215 x 215 mm) treated with a special non-stick coating.
- Smooth 4 mm thick quartz glass bottom cooking surface (250 x 250 mm).
- IPx4 water protection.
- Independent temperature setting of the top and bottom plates from 100 to 250 °C.
- Automatic lifting of the lid at the end of the cooking cycle via mechanical spring.
- Lid covers, handle and side panels in high-grade reinforced composite material.
- 800W heating element on the top plate.
- 800W electrical armored heating element on the bottom plate.
- 2 x 1050W magnetrons for microwave.
- Front air inlet and back outlet for efficient cooling ventilation allows easy air filters removal and side by side installation.





A focus on sustainability

Certifications & Recognitions



Product assessed by the manufacturer and deemed to meet EU safety, health, and environmental protection requirements.



International system for mutual acceptance of test reports and certificates concerning the safety of electrical and electronic components, equipment, and products.



Find out more:
[ISO Certificates](#)
[Electrolux Professional Recognitions](#)

The company reserves the right to make modifications to the products without prior notice. All information correct at time of printing.

2026/03/17

2/5

Technical specifications

Electric

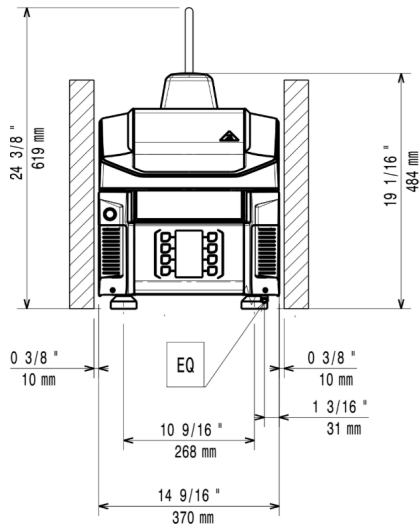
Supply voltage:	200 V/3 ph/60 Hz
Rated amps:	19 A
Total Watts:	4.5 kW
Plug type:	Cable without plug

Key Information:

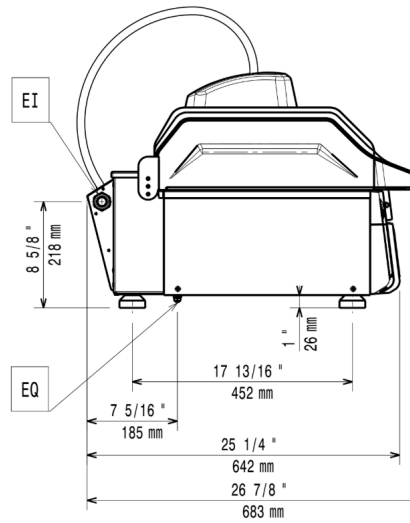
Cooking surface (WxD)	250 x 250 mm
External dimensions, Width:	370 mm
External dimensions, Depth:	683 mm
External dimensions, Height:	619 mm
Net weight:	47 kg
Shipping weight:	58 kg
Shipping height:	710 mm
Shipping width:	450 mm
Shipping depth:	760 mm
Shipping volume:	0.24 m ³

Installation drawings

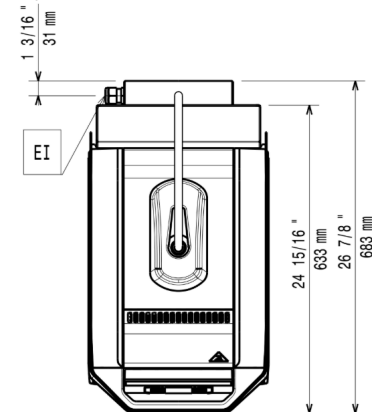
Front



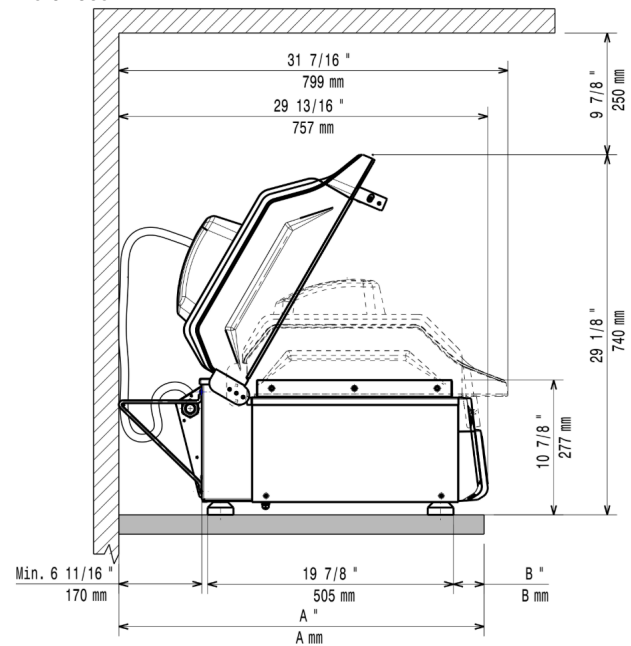
Side



Top



Distances



EI = Electrical inlet (power)

EO = Electrical Outlet

Accessories

Included Accessories

PNC Code	Description	Quantity
653527	Glass saver - silicone protective mat for glass ceramic plate	1
653623	Cleaning brush	1
653625	Spatula	1
653787	Removable ribbed teflon plate	1
653793	4 rubber feet - Height = 40 mm	1
653800	Spacer stop kit for rear ventilation	1
653802	Pressed non-stick tray	1
653803	Brush with nylon bristles	1
653804	Brush with brass bristles	1

Optional Accessories

PNC Code	Description
Cleaning solutions	
653527	Glass saver - silicone protective mat for glass ceramic plate
653623	Cleaning brush
653625	Spatula
653803	Brush with nylon bristles
653804	Brush with brass bristles
Containers, trays and grids	
653787	Removable ribbed teflon plate
653802	Pressed non-stick tray
Feet, wheels and ramps	
653791	4 stainless steel feet - Height = 76 mm
653792	4 rubber feet - Height = 26 mm
Installation solutions	
653800	Spacer stop kit for rear ventilation

Recommended Detergents

PNC Code	Description
OS2881	S01 STAINLESS STEEL SURFACE POLISHER; 6 BOTTLES X 750ML C/T
OS2882	S02 Degreaser for ovens and SpeedDelight. Specific for cleaning the cooking chambers of GourmeXpress and SpeedDelight. Active up to a maximum of 50°C. Complete with spray bottle. Pack of 6 750ml bottles
OS2883	S03 ALCOHOL BASE DETERGENT; 6 BOTTLES X 750ML; ADR&IMDG&IATA Limited Quantity
OS2884	S04 GLASSES & HARD SURFACES CLEANERS; 6 BOTTLES X 750ML